

# WESCAM

## WIND

### Value element ▶

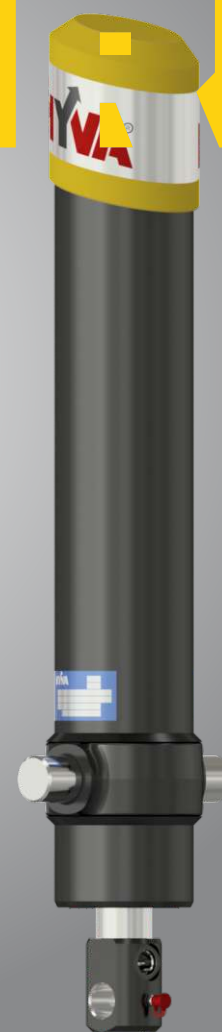
### Value defined

Durability	Extended cylinder life
Payload capacity	Increased weight per load
Cycle time	More loads per day
In-Service time	More vehicle uptime

### Features ▶

### Benefits

Premium quality steel	Rugged durability
Low build-in height	More compact construction of the trailer
Largest and smallest stage hard chromed	No corrosion and longer seal life
Low cylinder weight	More payload capacity
Low oil volume requirement	Faster cycle time, less oil expense
Product availability	Coast-to-coast HYVA stocking distributors
Specification support	HYVA factory direct sales team
After-sales support	HYVA factory direct field service team



## ALPHA EF LIGHT DUTY RANGE

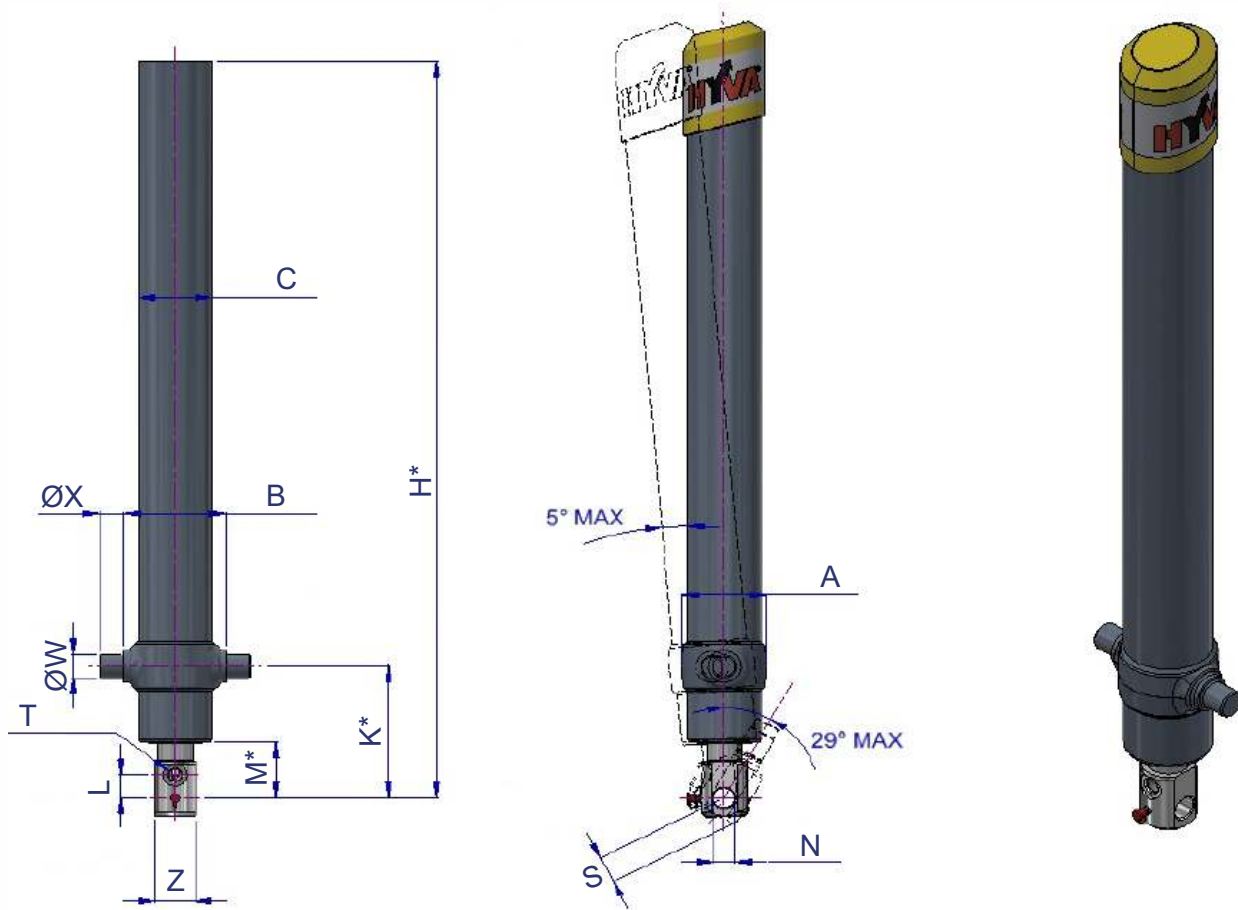
For strong, reliable and flexible tipping

# LIGHT-DUTY

## EF - ALPHA SERIES FRONT END CYLINDER (LIGHT DUTY RANGE).

Article number	US type	LBS	K* (")	Total Gal.	A (")	B (")	C (")	H* (")	L (")	Z (")	M* (")	S (")	T (")	N (")	ØX (")	ØW (")	Last stage (")	Stroke (")	Max PSI
71498050	EF A3.5-3-78-K7	73	7.00	1.8	4.25	6.50	3.69	35.44	1.25	2.00	2.94	1.44	¼-16 UNF	1.06	1.25	1.25	1.77	78	3191
71498100	EF A3.5-3-90-K7	79	7.00	2.1	4.25	6.50	3.69	39.25	1.25	2.00	2.94	1.44	¼-16 UNF	1.06	1.25	1.25	1.77	90	3191
71498150	EF A3.5-3-108-K7	90	7.00	2.6	4.25	6.50	3.69	45.13	1.25	2.00	2.94	1.44	¼-16 UNF	1.06	1.25	1.25	1.77	108	3191
71499050	EF A4-4-78-K7	79	7.00	2.4	5.06	7.50	4.38	28.94	1.25	2.00	2.94	1.44	¼-16 UNF	1.06	1.50	1.50	1.77	78	3191
71499100	EF A4-4-88-K7	88	7.00	2.6	5.06	7.50	4.38	31.38	1.25	2.00	2.94	1.44	¼-16 UNF	1.06	1.50	1.50	1.77	88	3191
71499150	EF A4-4-104-K7	98	7.00	3.2	5.06	7.50	4.38	35.44	1.25	2.00	2.94	1.44	¼-16 UNF	1.06	1.50	1.50	1.77	104	3191
71499200	EF A4-4-120-K7	110	7.00	3.7	5.06	7.50	4.38	39.25	1.25	2.00	2.94	1.44	¼-16 UNF	1.06	1.50	1.50	1.77	120	3191
71499300	EF A4-4-143-K7	128	7.00	4.5	5.06	7.50	4.38	45.13	1.25	2.00	2.94	1.44	¼-16 UNF	1.06	1.50	1.5071	1.77	143	3191

\*Includes 0.79" of pullout (min -0.2", max +1.18").



Please contact Hyva to receive information on upper and lower mounting options, and fitting connections.



Member of **JOIST** World

Hyva Corporation, 300 King Street, Elk Grove Village, IL 60007, USA  
 Phone: +1-630-227-9020, Fax: +1-630-227-9029, www.hyva.com