

UPGRADED RANGE

Value Element ▶

Value Defined

Durability	Extended Cylinder Life
Payload Capacity	Increased Weight per Load
Cycle Time	More Loads per Day
In-Service Time	More Vehicle Uptime

Features ▶

Benefits

Premium Quality Steel	Rugged Durability
Largest Wall Thickness in Industry	Increased Strength
Hard Chromed Final Stage	No Corrosion, Longer Seal Life
Even Lower Cylinder Weight	More Payload Capacity
Even Lower Oil Volume Requirement	Faster Cycle Time, Less Oil Expense
Low Maintenance	No Adjusting Nuts, No Air Bleeding
Easy Field Service	No Special Tools, Bottom Access Plate
Excellent Sealing in all Climates	No Oil Loss into the Environment
Redesigned Base	Improved Mounting Configuration
1" NPT SAE oil port	Additional safety available
Product Availability	Coast-to-Coast HYVA Stocking Distributors
Specification Support	HYVA Factory Direct Field Sales Team
After-Sale Support	HYVA Factory Direct Field Service Team
Highest Maximum Pressure In Industry Possible	



PRODUCT PROFILE TELESCOPIC CYLINDERS ALPHA FEE UPGRADED RANGE

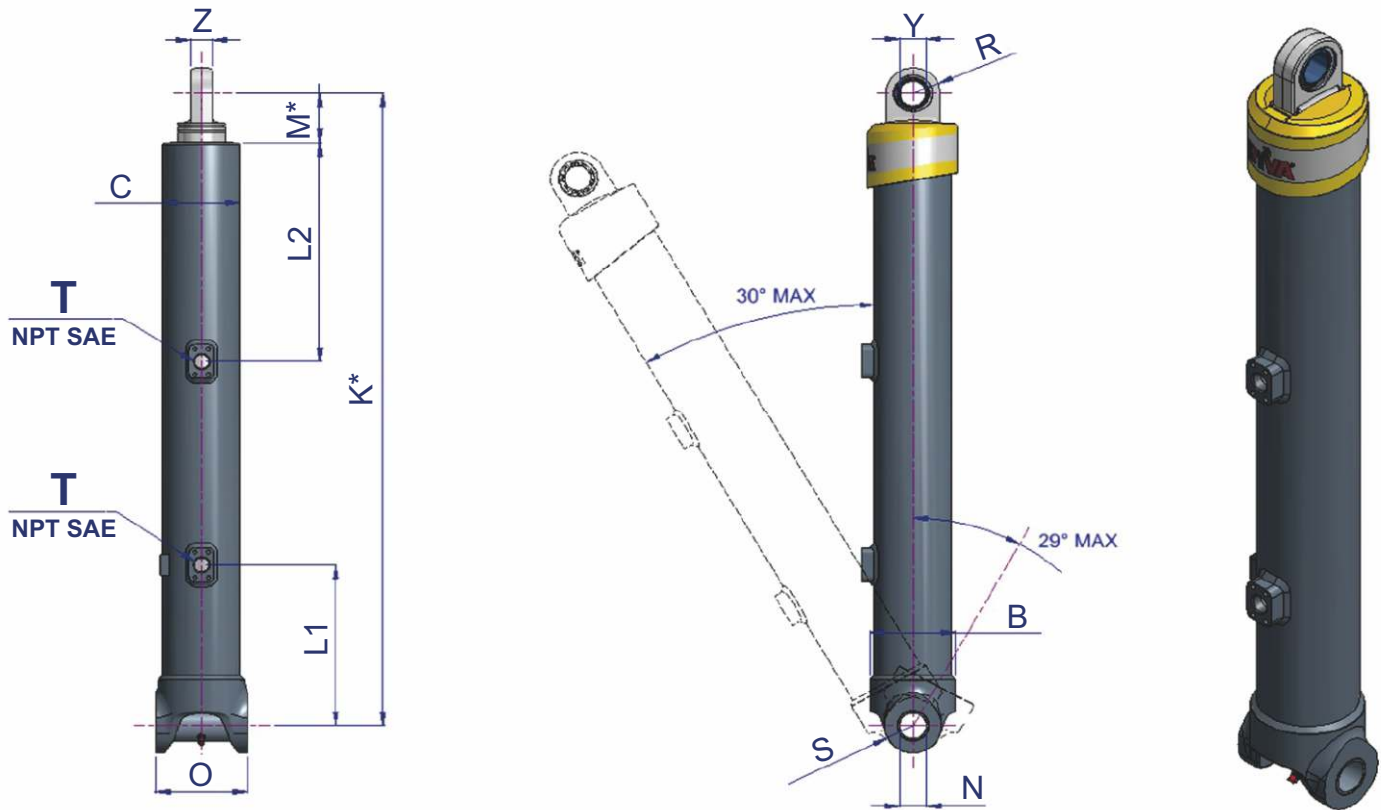
FEE - ALPHA SERIES FRONT END CYLINDER WITH PIN TO PIN (UPGRADED RANGE).

Article number	US type	LBS	K* (")	Total Gal.	O (")	B (")	C (")	L1 (")	L2 (")	Z (")	M* (")	S (")	T (")	N (")	Y (")	R (")	Last stage (")	Stroke (")	Max PSI
70174110	FEE MN5-3-96-K51	212	51.19	5.8	7	6.13	5.44	13	17.69	1.63	4	2.19	1	2.13	2	2.06	3.15	96	3626
70174120	FEE MN5-3-101-K48	198	48.15	5.8	7	6.13	5.44	13	17.69	1.63	4	2.19	1	2.13	2	2.06	3.15	100.9	3626
70174134	FEE MN5-3-110-K51	212	51.19	6.3	7	6.13	5.44	13	17.69	1.63	4	2.19	1	2.13	2	2.06	3.15	109.6	3626
70174150	FEE MN5-3-119-K54	223	54.13	6.9	7	6.13	5.44	13	17.69	1.63	4	2.19	1	2.13	2	2.06	3.15	118.6	3626
70174151	FEE MN5-3-119-K54-HC	223	54.13	6.9	7	6.13	5.44	13	17.69	1.63	4	2.19	1	2.13	2	2.06	3.15	118.6	3626
70174164	FEE MN5-3-127-K56 SKE	234	56.13	7.4	7	6.13	5.44	13	17.69	1.63	3	2.19	1	2.13	2	1.77	3.15	127.3	3626
70174184	FEE MN5-3-137-K60	247	60.44	7.9	7	6.13	5.44	13	17.69	1.63	4	2.19	1	2.13	2	2.06	3.15	137.5	3626
70175150	FEE MN6-3-119-K53 SKE	269	53.13	9.5	8.25	6.90	6.25	13	17.69	1.63	3	2.19	1	2.13	2	1.77	3.90	118.6	3626
70175164	FEE MN6-3-127-K56 SKE	284	56.13	10.3	8.25	6.90	6.25	13	17.69	1.63	3	2.19	1	2.13	2	1.77	3.90	127.3	3626
70175165	FEE MN6-3-127-K56-HC SKE	284	56.13	10.3	8.25	6.90	6.25	13	17.69	1.63	3	2.19	1	2.13	2	1.77	3.90	127.3	3626
70175190	FEE MN6-3-137-K60	300	60.44	11.1	8.25	6.90	6.25	13	17.69	1.63	4	2.19	1	2.13	2	2.06	3.15	137.5	3626
70175191	FEE MN6-3-137-K60-HC	300	60.44	11.1	8.25	6.90	6.25	13	17.69	1.63	4	2.19	1	2.13	2	2.06	3.90	137.5	3626
70175230	FEE MN6-3-147-K64	315	63.56	11.9	8.25	6.90	6.25	13	17.69	1.63	4	2.19	1	2.13	2	2.06	3.90	146.8	3626
70175178	FEE MN6-4-135-K48	269	48.25	9.5	8.25	6.90	6.25	13	17.69	1.63	4	2.19	1	2.13	2	2.06	3.15	134.8	3626
70175179	FEE MN6-4-135-K48-HC	269	48.25	9.5	8.25	6.90	6.25	13	17.69	1.63	4	2.19	1	2.13	2	2.06	3.15	134.8	3626
70175256	FEE MN6-4-158-K54	300	54.13	11.1	8.25	6.90	6.25	13	17.69	1.63	4	2.19	1	2.13	2	2.06	3.90	158.4	3626
70175270	FEE MN6-4-170-K57	315	57.06	11.9	8.25	6.90	6.25	13	17.69	1.63	4	2.19	1	2.13	2	2.06	3.15	170	3626
70175300	FEE MN6-4-183-K60	335	60.44	12.9	8.25	6.90	6.25	13	17.69	1.63	4	2.19	1	2.13	2	2.06	3.15	183.6	3626
70176268	FEE MN7-4-170-K57-1HC	386	57.25	16.4	9.44	7.75	7.06	6.69	17.69	1.63	4	2.19	1	2.13	2	2.06	3.90	170	3626
70176278	FEE MN7-4-183-K61-1HC	408	60.56	17.7	9.44	7.75	7.06	6.69	17.69	1.63	4	2.19	1	2.13	2	1.77	3.90	183.6	3626
70177316	FEE MN8-5-190-K55-1HC	478	54.81	21.9	9.44	8.75	8	6.69	17.69	1.63	4	2.19	1	2.13	2	2.06	3.90	190.3	3626

*Includes 0.79" of pullout (min -0.2", max +1.18").

IHC = Additional hard chromed largest moving stage.
HC = All stages fully hard chromed.

**All cylinders available in full hard chrome upon request.



Hyva Corporation

864 Lively Blvd,
 Wood Dale, Illinois 60191, USA
 Phone: +1-630-227-9020
 Fax: +1-630-227-9029
 salesusa@hyva.com
 www.hyva.com

Please contact Hyva to receive information on upper and lower mounting options, and fitting connections.