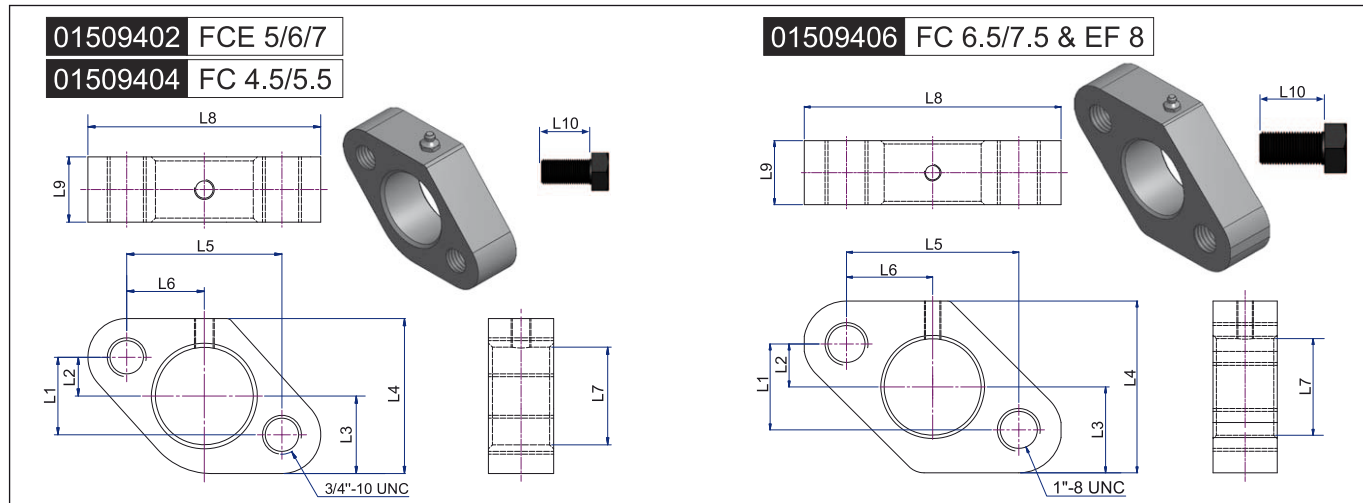


LIFTING BRACKETS & CRADLE KITS FOR FC/FCE/FEE CYLINDERS

LIFTING BRACKETS FOR FC/FCE CYLINDERS (BOLTS ARE INCLUDED)



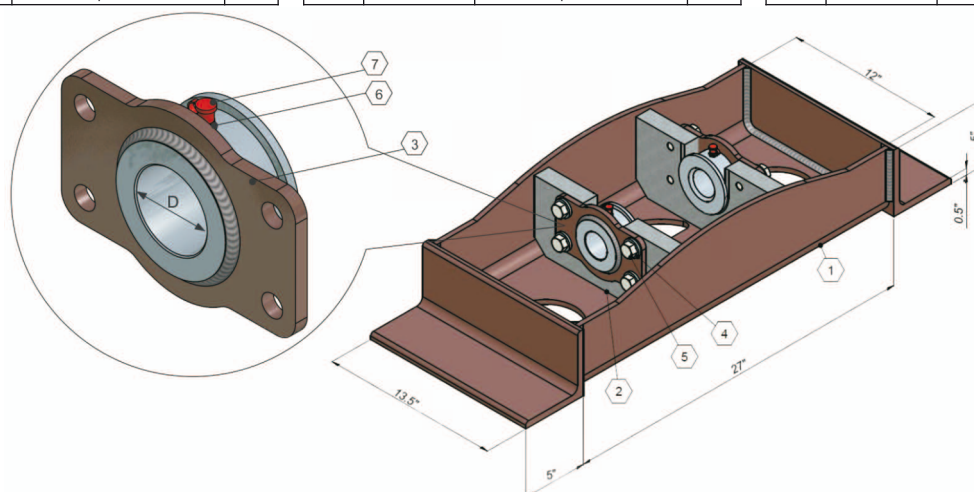
Part no.	Description	L1 (")	L2 (")	L3 (")	L4 (")	L5 (")	L6 (")	L7 (")	L8 (")	L9 (")	L10 (")	Qty.	Mass (lbs/pc)
01509402	Lifting bracket FCE 5/6/7	1.50	0.75	1.50	3.00	3.00	1.50	1.75	4.50	1.75		2	3.30
	Bolt hex 3/4"-10x2" UN G8 (5/6/7)										2.00	4	
	Grease nipple (01317659)											2	
01509404	Lifting bracket FC 4.5/5.5	1.50	0.75	1.50	3.00	3.00	1.50	1.89	4.50	1.25		2	2.20
	Bolt hex 3/4"-10x1 1/2" UN G8 (4.5/5.5)										1.50	4	
	Grease nipple (01317659)											2	
01509406	Lifting bracket FC 6.5/7.5 & EF 8	2.00	1.00	2.00	4.00	4.00	2.00	2.27	6.00	1.50		2	4.85
	Bolt hex 1"-8x2" UN G8 (6.5/7.5)										2.00	4	
	Grease nipple (01317659)											2	

CRADLE KITS FOR FC/FCE/FEE CYLINDERS

Kit no. 015075640 for FCE/FEE 5/6/7/8-4			
Pos.	Part no.	Description	Qty.
D		2"	
1	015075650	Cylinder cradle	1
2	015075652	U-bracket 4.5/5.5/6.5/7.5 for cradle	2
3	015075656	Bracket plate assembly	2
4	15011800	Bolt hex 5/8"-11 UN L= 1 3/4" G8	8
5	15024800	Spring washer 5/8"	8
6	56288044	Grease nipple M8	2
7	01317670	Grease cap	2

Kit no. 015075644 for FC 4.5/5.5			
Pos.	Part no.	Description	Qty.
D		1.89"	
1	015075650	Cylinder cradle	1
2	015075652	U-bracket 4.5/5.5/6.5/7.5 for cradle	2
3	015075655	Bracket plate assembly	2
4	15011800	Bolt hex 5/8"-11 UN L= 1 3/4" G8	8
5	15024800	Spring washer 5/8"	8
6	56288044	Grease nipple M8	2
7	01317670	Grease cap	2

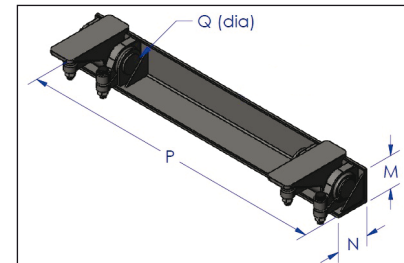
Kit no. 015075646 for FC 6.5/7.5			
Pos.	Part no.	Description	Qty.
D		2.27"	
1	015075650	Cylinder cradle	1
2	015075652	U-bracket 4.5/5.5/6.5/7.5 for cradle	2
3	015075657	Bracket plate assembly	2
4	15011800	Bolt hex 5/8"-11 UN L= 1 3/4" G8	8
5	15024800	Spring washer 5/8"	8
6	56288044	Grease nipple M8	2
7	01317670	Grease cap	2



REAR HINGES & ADAPTORS FOR CYLINDER PORTS

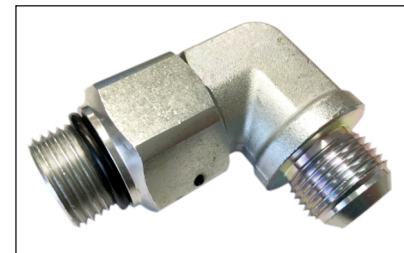
REAR HINGES

Part no.	Description	Capacity	M	N	P	Q	Weight (lbs)
93450054	Rear Hinge Assembly - 20t Kit	Up to 20 tons	4.44"	5.69"	36.06"	1.75"	54
93450055	Rear Hinge Assembly - 40t Kit	30-40 tons	6.13"	6"	39"	2.00"	96.5
93450056	Rear Hinge Assembly - 50t Kit	50 tons	4"	6"	42.13"	2.38"	131.5



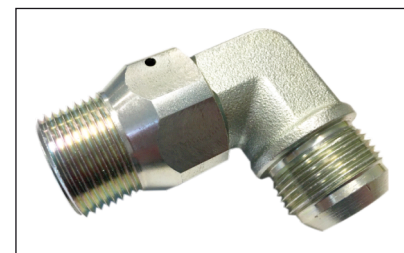
ROTATING ADAPTOR

Part no.	Description	For cylinder
14799437	Rotating adaptor - 1 1/16" UN JIC x 1 1/2" UN SAE J514***	FC 4.5 / FC 5.5
65000976	Rotating adaptor - 1 5/16" UN JIC x 1 5/8" UN SAE J514***	FC 6.5 / FC 7.5
*** 1 1/16 UN = 3/4" JIC		
*** 1 5/16 UN = 1" JIC		



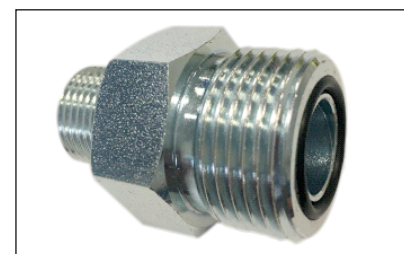
ROTATING ADAPTOR

Part no.	Description	For cylinder
65001135	Rotating adaptor - ADAP-HP-90-SW-16NPTOT-16UNOT***	FEE w/1"NPT
*** 16UNOT = 1" JIC		



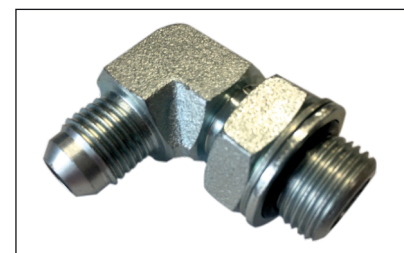
ADAPTOR STRAIGHT MALE

Part no.	Description	For cylinder
14799409	1/4" 10 ORFS X 3/8" BSPP Adaptor	FEE 1DA double acting
<i>This adaptor needs below bonded seal</i>		
01206825	3/8" Bonded seal	



ADAPTOR 90 DEGREE MALE

Part no.	Description	For cylinder
14799400	90° Angle-6 Male Jic. X 3/8" Male BSPP Adaptor	FC 1DA double acting



* Pictures shown above are general.
*Material and shape are subject to change.