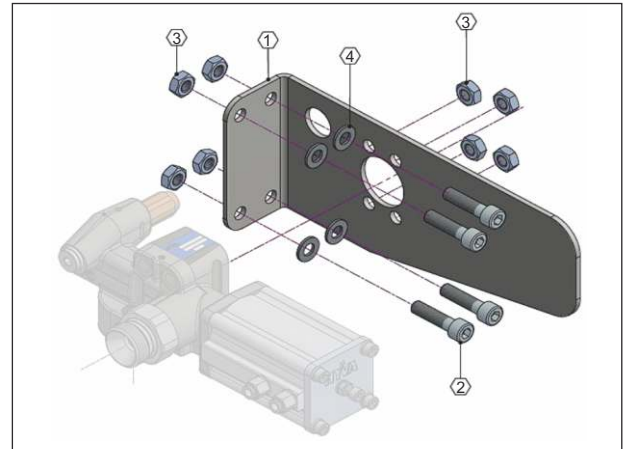


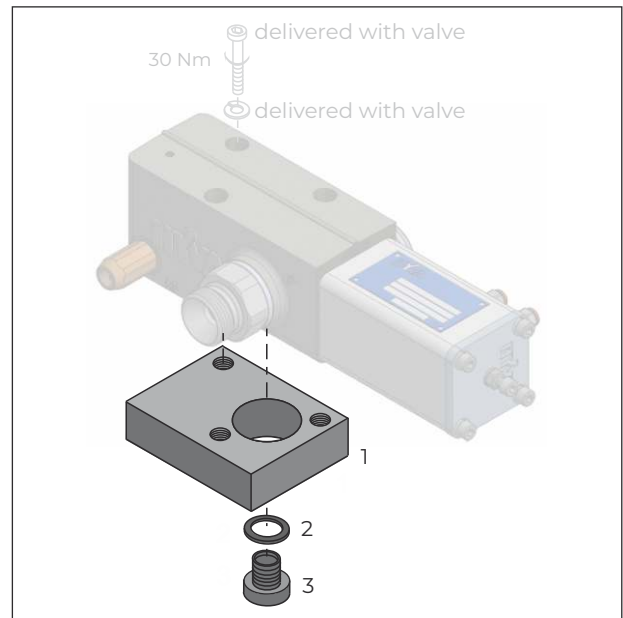
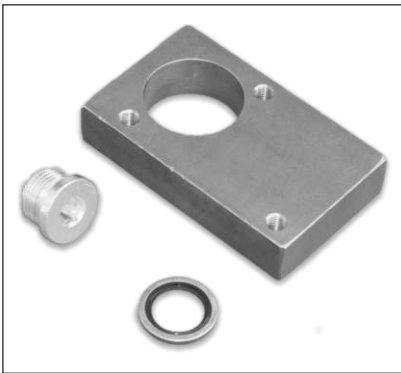
SAE CHASSIS BRACKET KIT FOR HT 1150 VALVE

Pos.	Part no.	Description	Qty.
	65001210-C1	SAE CHASSIS BRACKET KIT FOR HT 1150 VALVE CONSISTING OF:	
1		SAE CHASSIS BRACKET FOR HT 1150 VALVE	1
2		SCREW M10	4
3		HEX NUT M10	8
4		WASHER M10	4



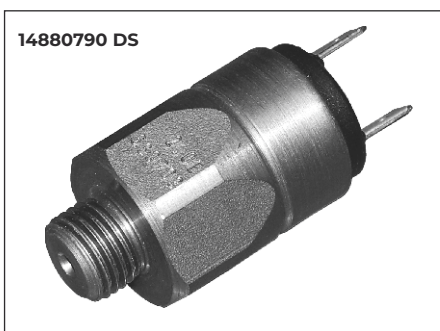
CHASSIS MOUNTING KIT FOR HT 1220 & 2220 VALVE

Pos.	Part no.	Description	Qty.
	14735208	CHASSIS MOUNTING KIT HT-VALVE CONSISTING OF:	
1	14735210	MOUNTING PLATE	1
2	01206837	BONDED SEAL	1
3	14799180	ALLEN PLUG WITH COLLAR 1/2"	1



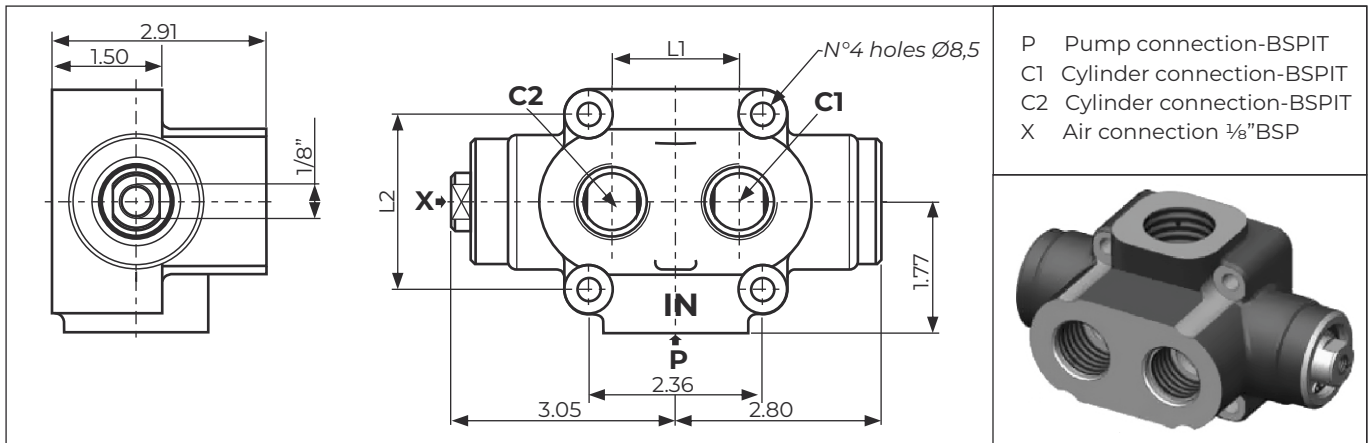
HYDRAULIC PRESSURE INDICATOR

Part no.	Description
14880790-K1	PRESSURE SWITCH KIT - BODY UP INDICATOR CONSISTING OF:
14880790 DS	PRESSURE SWITCH FOR CONTROL LIGHT 300 BAR 1/4" BSPOT
14880791	PROTECTIVE CAP WITH DUAL CABLE ENTRIES



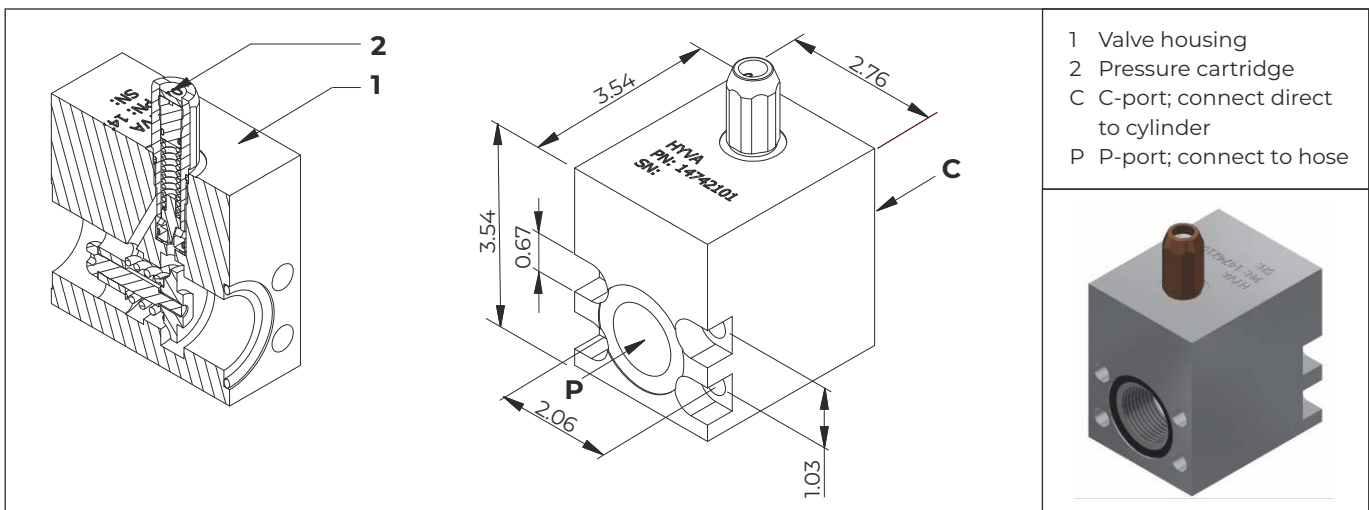
PNEUMATIC OPERATED DIVERTER VALVES 3/2 WITH OPEN CENTRE

Part no.	Description	Max. pressure	Hydraulic ports			Flow (Gpm)	Weight (lb)	L1 (")	L2 (")
			P	C1	C2				
021418001	DIVERT-VALVE PN-3/2-250L-350B-PO-1"-00	350 BAR - 5076 PSI	G1"	G1"	G1"	66.04	5.51	1.97	2.56



HOSE BURST VALVE SAE WITH RELIEF

Part no.	Description	Max. working pressure	Ports	Weight (lb)	Flow (Gpm)
14742101	HOSE BURST VALVE 1" SAE 215L/M - 190BAR	190 BAR - 2755 PSI	G1"	8.82	56.80
14742104	HOSE BURST VALVE 1" SAE 215L/M - 250BAR	250 BAR - 3626 PSI	G1"	8.82	56.80



SPARE PARTS

Part no.	Description
14772190	Pressure relief cartridge 190 bar for valve 14742101
14772250	Pressure relief cartridge 250 bar for valve 14742104
14842209	Bonded seal