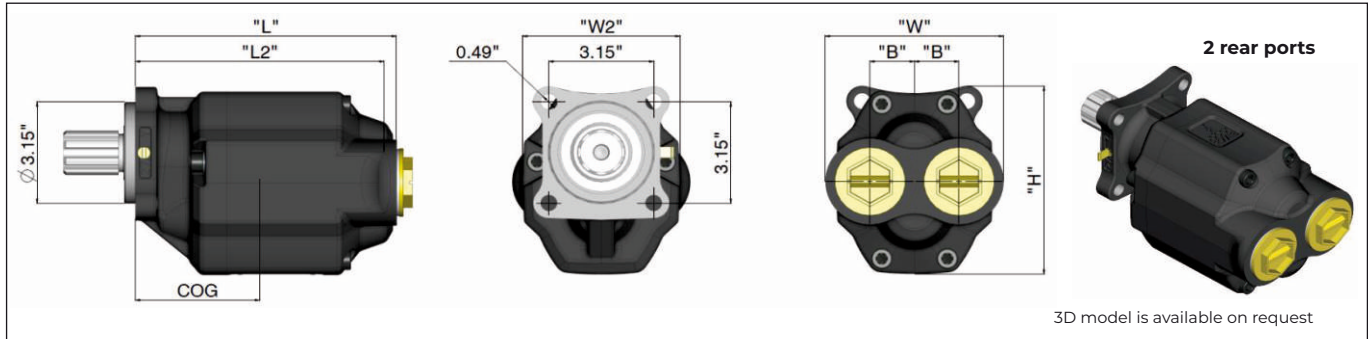


ALPHA GEAR PUMP BI - 4H3, BI-ROTATIONAL / FLANGE ISO 4 HOLES

Part No.	Description:
14571341	Gear pump 085L-BI-4H3-2R-20BSP20-250
14571351	Gear pump 105L-BI-4H3-2R-20BSP20-250

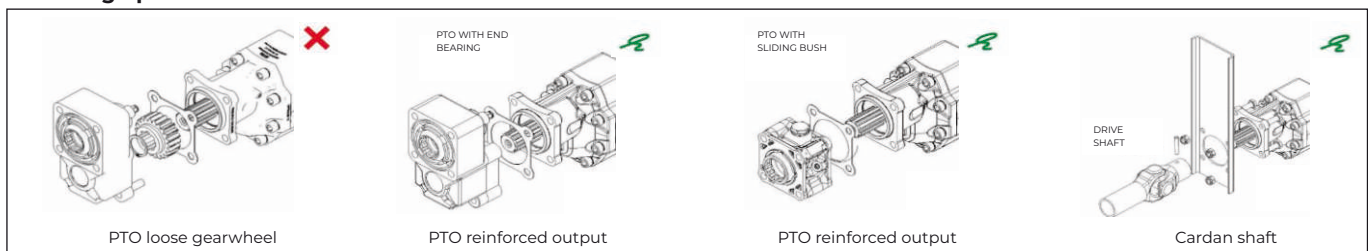


Type	85cc	105cc		
Part number	14571341	14571351		
Displacement per revolution	5.19	6.39	cu.in	
Port configuration	2 rear	2 rear		
Shaft DIN 5462	8*32*36	8*32*36	mm	
Inlet - straight internal thread	1 1/4"	1 1/4"	BSP	
Outlet - straight internal thread	1 1/4"	1 1/4"	BSP	
Minimum suction hose diameter	1 3/4"	1 3/4"	inch	
Torque at 3626 psi	284	349	lb.ft.	
p2 : Max. pressure for tipping application	3626	3626	psi	
p3 : Max. continuous pressure	3336	3336	psi	
p1 : Max. peak pressure	3699	3699	psi	
L : Length pump	7.36	7.83	inch	
L2 : Length before ports	7.01	7.48	inch	
W : Width pump	5.35	5.35	inch	
W2 : Smaller width before ports	4.72	4.72	inch	
H : Height pump	5.85	5.85	inch	
A : Position side port	-	-	inch	
B : Position rear port	1.34	1.34	inch	
Mass	31	33	lbs	
Centre of gravity distance (COG)	3.50	3.74	inch	
Flow at 2000 rpm	41	51	gal/min	
Max. speed at intermittent pressure	2500	2250	rpm	
Min. speed at intermittent pressure	300	300	rpm	
Oil temperature range	min / max	-40 / 176	-40 / 176	°F
Inlet pressure range (suction side)	min / max	10 / 44	10 / 44	psi
Recommended oil viscosity range	min / max	0.0186 / 0.155	0.0186 / 0.155	in ² /s
Max. starting viscosity		1.163	1.163	in ² /s
Min. filtration		984	984	µ.in
Noise level at 1000 rpm and 100 bar		65	66	dB
Leak indicator included with the pump	Yes	Yes		

Technical notes

- Recommended oil is mineral based; for other fluids contact our engineering department
- Mentioned filtration is for tipper applications only
- To avoid cavitation, suction hose must be kept as short and straight as possible and oil viscosity should be respected at all operating temperatures
- Painted black (RAL9005)
- Leak indicator kit included and to be fitted with hose opening facing down

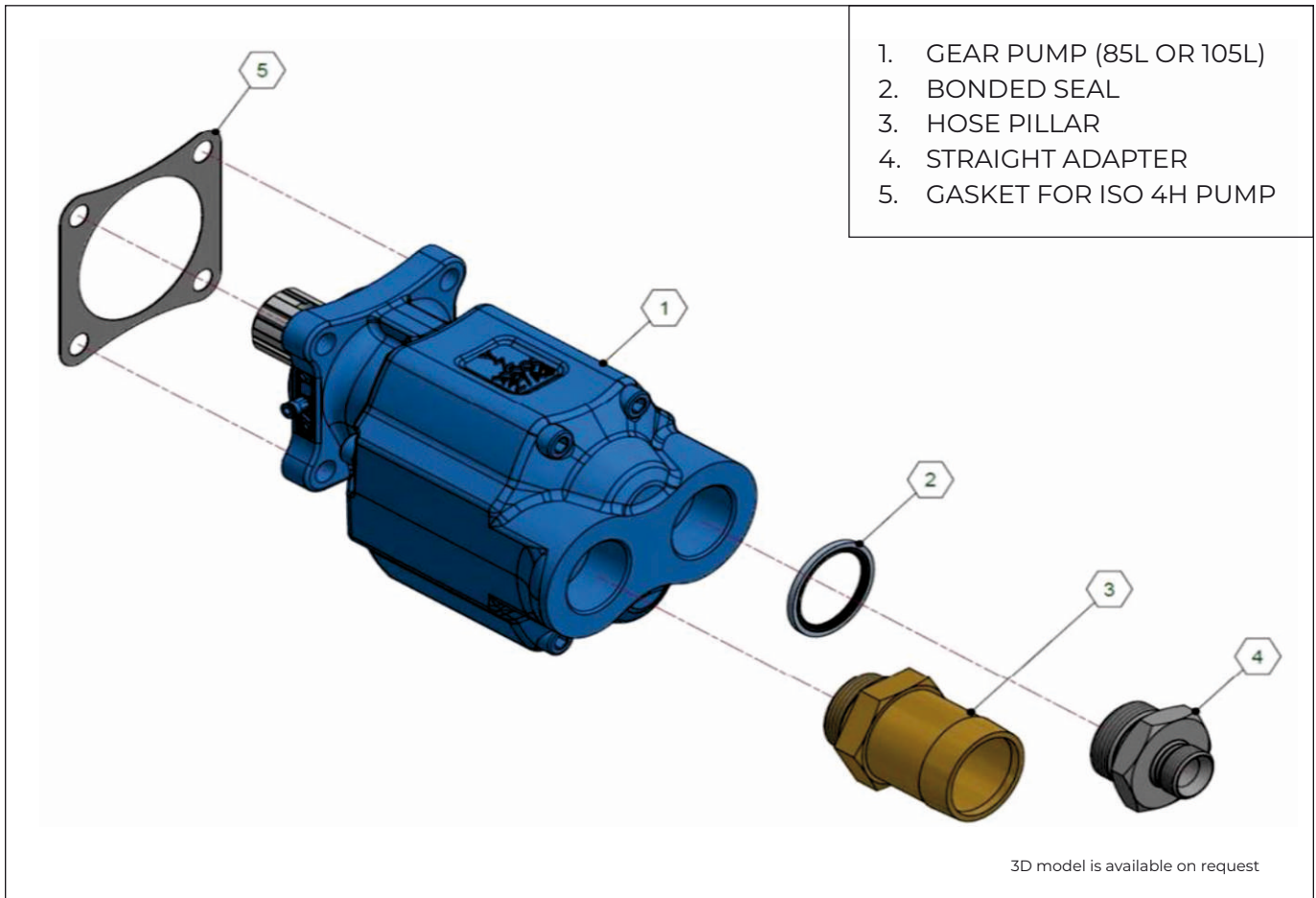
Mounting options



Related documentation

Oil specifications: OIL-0011

HYVA GEAR PUMP (CVP) KITS 85 L & 105L



GEAR PUMP KIT 085L

Kit number	Description
14571341K01	GEAR PUMP 085L-2R-00JIC16-00LP32-250

GEAR PUMP KIT 105L

Kit number	Description
14571351K01	GEAR PUMP 105L-2R-00JIC16-00LP32-250

KIT 085L GEAR PUMP CONSISTING OF:

Pos.	Description	Part number	Qty.
1	GEAR PUMP 085L-B1-4H3-2R-20BSP20-250	14571341	1
2	BONDED SEAL 1¼"	01206874	1
3	HOSE PILLAR 00-1¼" BSPOT - LP32 (2")	14535328	1
4	ADAPTOR HP-00-1¼" BSPOT - 16JIC (1")*	65001112	1
5	GASKET PUMP ISO 4H	14624850	1

NOTE:

* thread size of JIC part is 1⁵/₁₆"-12UN

KIT 105L GEAR PUMP CONSISTING OF:

Pos.	Description	Part number	Qty.
1	GEAR PUMP 105L-B1-4H3-2R-20BSP20-250	14571351	1
2	BONDED SEAL 1¼"	01206874	1
3	HOSE PILLAR 00-1¼" BSPOT - LP32 (2")	14535328	1
4	ADAPTOR HP-00-1¼" BSPOT - 16JIC (1")*	65001112	1
5	GASKET PUMP ISO 4H	14624850	1

NOTE:

* thread size of JIC part is 1⁵/₁₆"-12UN