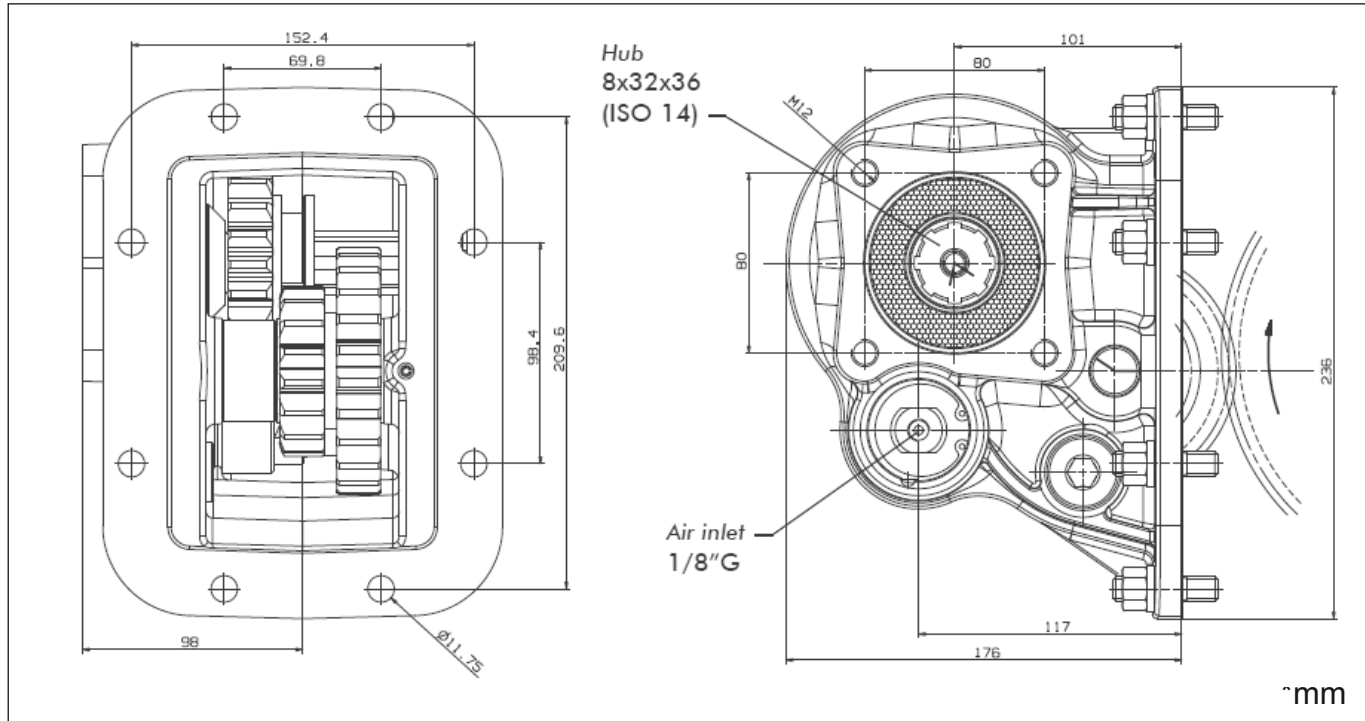


PNEUMATICALLY OPERATED POWER TAKE-OFF

Part no. PTO: 021202040

Type of Gearbox EATON-FULLER



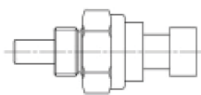
Specifications

Type Gearbox	SEE INDEX ON BACK PAGE
PTO ratio@1000 eng. rpm	SEE INDEX ON BACK PAGE
Max Torque	300 Nm
Mounting Side	Low side
Output	Rear
Rotation	CW

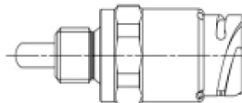
Mounting kit

Part no.	021461004
----------	-----------

PTO pressure signal switch



PACKARD
021416005



DIN 72585
021416006

OPTIONAL
To be ordered separately





HYVA'S PTO'S INDEX

GEARBOX MODEL	OUTPUTS SPEED AT 1000 ENGINE RPM (rpm)
FM 14D310 B	897
FM 14E310 B	897
FM 15D310 B	897
FM 15E310 B	897
FO 14E308 LL	1204
FO 16E308 LL	1204
FO 17E308 LL	1204
FO 14E309 ALL	1012
FO 14E310 C-LAS	1012
FO 14E313 A-MHP	1012
FO 14E318 B-MXP	1012
FO 14E318 B-VXP	1012
FO 16D313 E-LEP	1012
FO 16E309 ALL	1012
FO 16E310 C-LAS	1012
FO 16E313 A-MHP	1012
FO 16E318 B-MXP	1012
FO 17E309 ALL	1012
FO 18E310 C-LAS	1012
FO 18E313 A-MHP	1012
FO 18E318 B-VXP	1012
FO 20E313 A-MHP	1012
FO 20E318 B-VXP	1012
FO 22E318 B-MXP	1012
FO 22E318 B-VXP	1012
FOM 14E310 C-LAS	1012
FOM 15E310 C-LAS	1012
FOM 16D313 E-LE	1012
FOM 16E310 C-LAS	1012
RT 7608 LL	650
RT 8609	650
RT 8609 A	650
RT 906	895
RT 909 A	895
RTO 913	895
RTOF 913	895
RT 9109 A	1240
RT 9109 AT	1240
RTO 910	1240
RTO 9109	1240
RTO 9109 A	1240
RTO 9109 AT	1240
RTOF 910	1240
RTO 9508	763
T 955 AL	763
T 955 ALL	763
TO 955 AL	763
TO 955 ALL	763
TO 955 DLL	763
MRT 9513	896
MRTO 9513	896
RT 8908 LL	896
RT 9509 A	896
RTF 9509 A	896
RTF 9513	896
RTO 9513	896
RTOF 9531	896
T 955 GL	896
MRTO 9509 A	1207
RT 958 LL	1207
RTF 12509 A	1207
RTO 12508 LL	1207
RTO 12509	1207
RTO 12515	1207
RTO 9509 A	1207
RTO 958 LL	1207
RTOF 12509	1207
RTOF 9509 A	1207
MRTO 9509 B	1008
RTO 9509 B	1008
RTOF 9509 B	1008
RTOO 9513	1008
RT 1110	1085
RT 11109 A	1085
RT 11109 AT	1085
RT 11109 MAT	1085
RTLO 20918 B	1085
RTLO 22918 B	1085
RTO 13609 B	1085
RTO 1110	1256
RTO 11109 A	1256
RTO 11109 AT	1256
RTO 11109 MAT	1256
RTO 11057 DL	1129
RTO 11057 DLL	1129
RT 11509	965
RTO 11109 B	965
RTO 11509	965
RTO 11607 L	1120
RTO 11607 LL	1120
RTO 15715	1120
T 11607 L	1120
TO 11605 A	1120
TO 11605 D	1120
RTX 15710 C	706
T 11605 A	706
T 11605 B	706

GEARBOX MODEL	OUTPUTS SPEED AT 1000 ENGINE RPM (rpm)
T 11605 C	706
T 11605 F	706
RT 11608	823
TO 11605 B	823
RTO 11609 B	1008
RTOF 11609 D	1008
RTOOF 11613	1008
RTOOX 11613	1008
RTX 11609 B	1008
RTO 11609 P	1306
RTX 11609 R	1306
RTLO 11610 B	989
RTO 11613 B	989
MRT 11609	890
MRT 11613	890
RT 11609 A	890
RT 11610	890
RT 11615	890
RTF 11609 A	890
RTF 11613	890
RTO 11613	890
RTOF 11613	890
RT 11609 B	1135
RTO 11610	1135
RTO 11615	1135
RTO 12510	1135
RTO 14515	1135
RTO 14607 LL	1135
RTO 14610	1135
RTO 15615	1135
RTOF 12510	1135
RTO 11707 DLL	1103
RTO 11707 LL	1103
RTO 11709 H	1103
RTO 11709 MLL	1103
RTO 11710 C	1103
RTO 13707 DLL	1103
RTO 13707 MLL	1103
RTO 13709 H	1103
RTX 11709 H	1103
RTX 13710 C	1103
RT 11709 H	959
RT 11710 B	959
RT 11715	959
RT 13609 A	959
RT 13709 H	959
RT 13710 B	959
RT 14709 A	959
RT 14709 H	959
RT 14710 B	959
RT 14715	959
RTLO 13610 B	959
RTO 11813	959
RT 12109 A	1021
RT 12109 AT	1021
RT 12109 MAT	1021
RTO 12109 B	1021
RTO 12109 A	1289
RTO 12109 AT	1289
RTO 12109 MAT	1289
RTF 13609 A	1289
RTO 13609 P	1289
RTO 13609 R	1289
RTO 14109 A	1289
RTX 13610 B	1289
RTX 13710 B	1289
RTX 16710 B	1289
RT 12509	897
RT 12513	897
RT 12515	897
RTF 12509	897
RTO 12513	897
RT 12609 A	1025
RT 12610	1025
RTLO 12610 B	1025
RTO 12609 B	1025
RTO 12609 A	1259
RTO 12609 P	1259
RTO 12609 R	1259
RTO 12610	1259
RT 12709 A	1024
RT 12709 H	1024
RT 12710 B	1024
RTLO 12713 A	1024
RTLO 12713 C	1024
RTO 12709 A	1024
RTO 12709 B	1024
RTO 12709 H	1024
RTO 9109 B	1024
RTO 12709 H	1024
RTO 9109 B	1024
RTO 9109 MAT	1024
RTOO 913	1024
RTOOF 913	1024
RTX 12710 B	1024
RTX 12710 C	1024
RT 14109 A	1025
RT 14109 AT	1025
RT 14109 MAT	1025

GEARBOX MODEL	OUTPUTS SPEED AT 1000 ENGINE RPM (rpm)
RTO 14109 AT	1025
RTO 14109 B	1025
RTO 14109 MAT	1025
RT 14608	736
RT 14609 A	1195
RTO 14609 A	1195
RTO 14609 B	1195
MRT 14613	890
MRT 14613 B	890
RT 14610	890
RT 14613	890
RT 14615	890
RT 15613	890
RT 15613 A	890
RT 15613 B	890
RT 15615	890
RTF 14609 A	890
RTF 14613	890
RTLO 14610 A	890
RTLO 14610 B	890
RTLO 14613 B	890
RTLO 15610 B	890
RTO 14613	890
RTO 15613	890
RTO 15613 A	890
RTO 15613 B	890
RTO 15618	890
RTOF 14613	890
RTO 11608 LL	1195
RTO 14608 LL	1195
RTO 14609 LL	1195
RTO 14609 P	1195
RTOX 11609 A	1195
RTOX 14609 A	1195
RTX 11609 A	1195
RTX 11613 B	1195
RTX 14609 A	1195
RTX 14609 R	1195
RTX 14615	1195
RTLO 14618 A	1008
RTO 14618 A	1008
RTOF 14609 B	1008
RTOOX 14613	1008
RTOX 14609 B	1008
RTOX 14613	1008
RTX 14609 B	1008
RT 14708 LL	792
RTO 11708 LL	1254
RTO 11709 A	1254
RTO 11715	1254
RTO 14708 LL	1254
RTO 14710 B	1254
RTO 14715	1254
RTO 14915	1254
RTO 16915	1254
RTX 11708 LL	1254
RTX 11710 B	1254
RTX 14708	1254
RTX 14710 B	1254
RTX 14715	1254
RTLO 14713 A	1011
RTLO 14718 B	1011
RTLO 14913 A	1011
RTLO 14918 AS	1011
RTLO 14918 B	1011
RTLO 16713 A	1011
RTLO 16718 B	1011
RTLO 16913 A	1011
RTLO 16918 AS	1011
RTLO 16918 B	1011
RTLO 18718 B	1011
RTLO 18913 A	1011
RTLO 18918 B	1011
RTO 14709 B	1011
RTO 14709 H	1011
RTO 14709 MLL	1011
RTO 16709 B	1011
RTO 16709 H	1011
RTO 16718 B	1011
RTX 14709 H	1011
RTX 14710 C	1011
RTX 16709 B	1011
RTX 16710 C	1011
RTO 14813	959
RT 15715	833
RTX 15710 B	833
RTLO 16610 B	959
RTLO 16618 A	959
RTO 16618	959