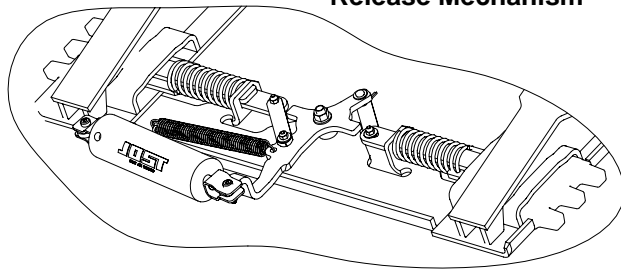


**Jost International announces a design improvement for  
Sliding Fifth Wheel Release Mechanism**

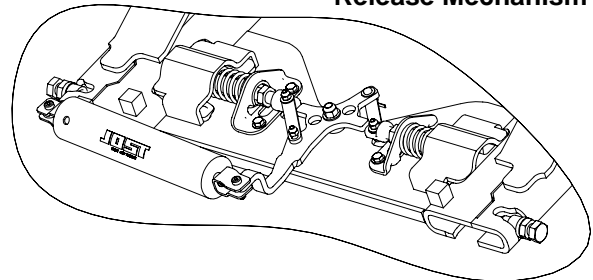
During the month of April 2005, Jost International will begin shipping a new (different) style release mechanism on its Outboard mounted Sliding Fifth Wheels (see Figure 1). The new mechanism will be similar to the current Inboard Sliding Fifth Wheels (see Figure 2).

**New Outboard Slider  
Release Mechanism**



**Figure 1**

**Current Inboard Slider  
Release Mechanism**

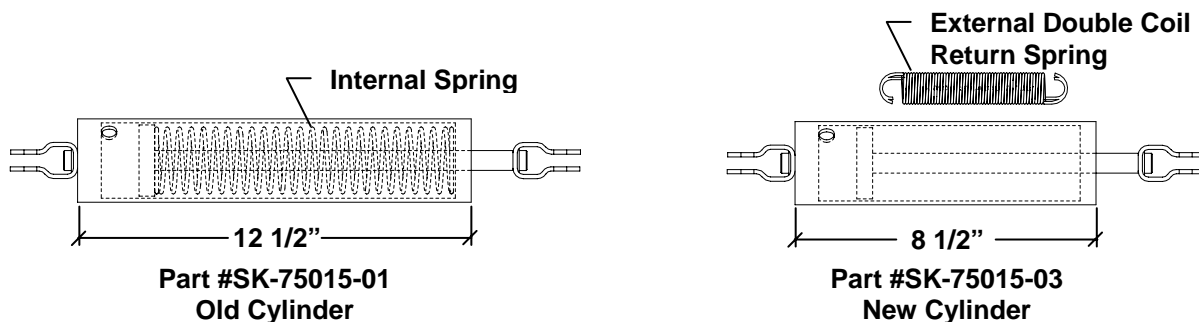


**Figure 2**

This change has been fully tested, and will not affect the product fit, form, function, durability or product installation.

In addition to this change Jost will be introducing a new Air Release Cylinder that will be used on both the Inboard & Outboard Sliders. This shorter cylinder utilizes an external return spring extending the life and durability of the cylinder (see Figure 3).

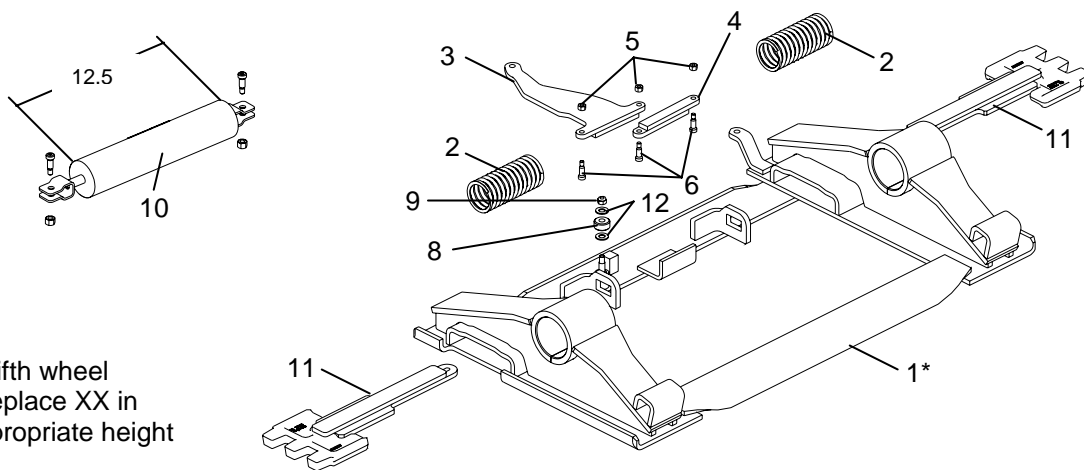
This communication is being forwarded to you for advanced notification. Tractor dealers are encouraged to begin stocking spare parts.



**Figure 3**

An exploded view with all appropriate part numbers is shown on the reverse side.

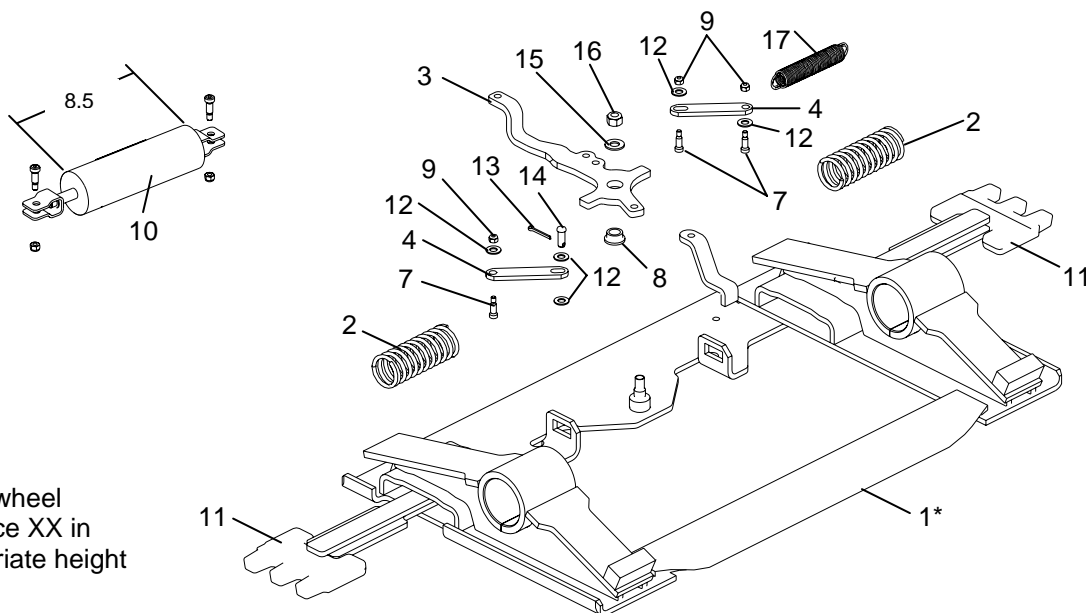
## Old Style



\*Item #1 available in fifth wheel heights: 7", 8", 9". Replace XX in part number with appropriate height (e.g. SK 77001-08).

Item	Description	Part No.	Item	Description	Part No.
1	Slide bracket*	SK 77001-xx	8	Roller	SK 77047
2	Spring	SK 77005	9	5/16-18 Lock Nut	SK 70401-02
3	Pivot Arm	SK 77015	10	Cylinder w/Internal Spring	SK 75015-01
4	R.H. Knee	SK 77016	11	Plunger	SK 77007
5	1/4-20 Prevailing Torque Lock Nut	SK 70401-01	12	Flat Washer	SK 70302-05
6	5/16 Dia. x 5/8 Lg. Shoulder Screw	SK 70201-00			

## New Style



\*Item #1 available in fifth wheel heights: 7", 8", 9". Replace XX in part number with appropriate height (e.g. SK 77001-08).

Item	Description	Part No.	Item	Description	Part No.
1	Slide bracket*	SK 77001-xx	11	Plunger	SK 77007-01
2	Spring	SK 77293-00	12	Flat Washer	SK 70302-05
3	Pivot Arm	SK 77289-00	13	Cotter Pin	SK 70101-01
4	Pivot Linkage	SK 77290-00	14	3/8 Dia. Clevis Pin	SK 70102-00
7	3/8 Dia. x 3/4 Lg. Shoulder Screw	SK 70201-09	15	Flat Washer	SK 70302-02
8	Flanged Bearing	SK 77292-00	16	1/2-13 Lock Nut	SK 70402-04
9	5/16-18 Lock Nut	SK 70402-01	17	Double Coil Spring	V2026100
10	Cylinder w/out Internal Spring	SK 75015-03			