



- 1. FAILURE TO FOLLOW THESE INSTRUCTIONS COULD CAUSE A HAZARDOUS CONDITION!**
- 2. PERFORM ALL MAINTENANCE WITH TRACTOR UNCOUPLED FROM TRAILER.**
- 3. ALL PROCEDURES MUST BE PERFORMED BY QUALIFIED PERSONNEL.**

A. LUBRICATION (as required):

1. Lubricate the kingpin lock using a hand pump grease gun through the grease zerk provided on the skirt of the fifth wheel (see figure 1).
2. Apply a lithium-based grease with EP additive (extreme pressure) to the trailer contact surface of the fifth wheel.
3. Apply a light oil to all moving parts.

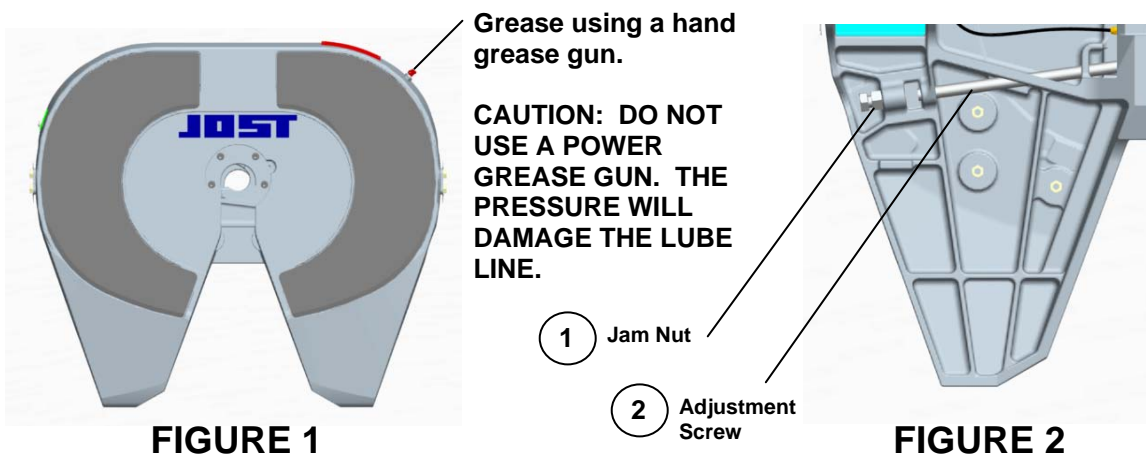


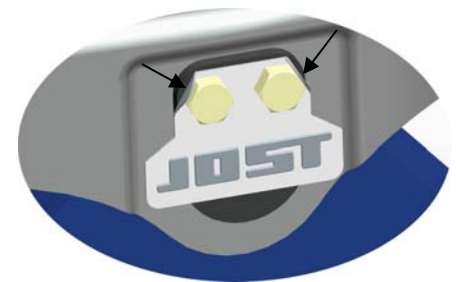
FIGURE 1

FIGURE 2

B. INSPECTIONS AND ADJUSTMENTS:

(Perform the following every 3 months or 30,000 miles)

1. Inspect the mounting – repair or replace any missing or damaged fasteners or broken components.
2. Inspect bracket pin bolts, make sure locking tabs are properly securing the bolts in place (Figure 3).
3. Inspect the fifth wheel for bent, worn or broken parts. Replace with genuine **JOST** parts (see page 4 for parts list).
4. Inspect the lube plates and replace if damaged or when the plates wear down to the topplate ridge surrounding the lube pockets.
5. Inspect the throat guides and replace once the head of the kingpin comes in contact with the topplate casting throat wall (see figure 8).



Locking tabs properly securing bolts

FIGURE 3

6. Check Adjustment - Lock and unlock several times using a lock tester. Check that locking mechanism functions properly (see LT-SK37Y-05).

- A. **The lock is properly adjusted if:** The wheel locks and unlocks easily each time and the lock tester rotates freely.
- B. **The lock is too loose if:** You feel fore-aft play when pulling and pushing on the lock tester handle (see figure 6)
- C. **The lock is too tight if:** The lock tester does not rotate freely when attempting to rotate it in the lock. (See figure 6)



FIGURE 3

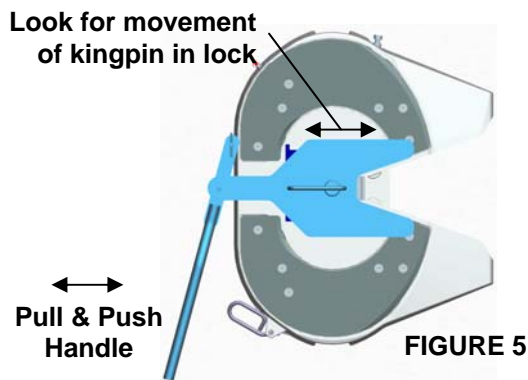


FIGURE 5

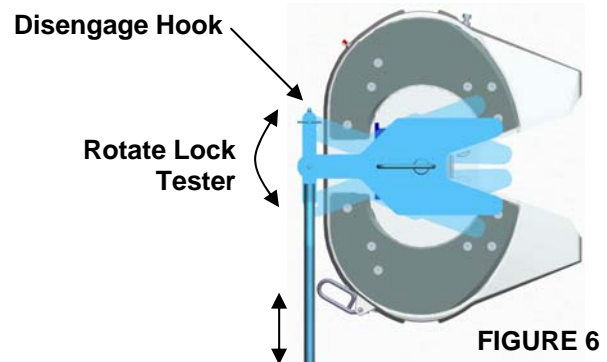
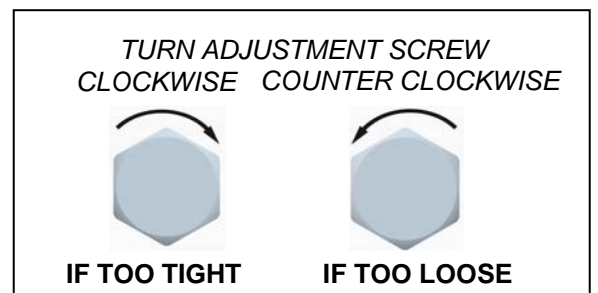


FIGURE 6

7. Correct improper adjustment

- A. **If it is too tight:** loosen the jam nut (see figure 2 item 1), turn the adjustment screw (see figure 2 item 2) clockwise one full turn and reset the jam nut. Then, lock and unlock several times, repeat if necessary.
- B. **If it is too loose:** loosen the jam nut, turn the adjustment screw counterclockwise one full turn and reset the jam nut. Then, lock and unlock several times, repeat if necessary.



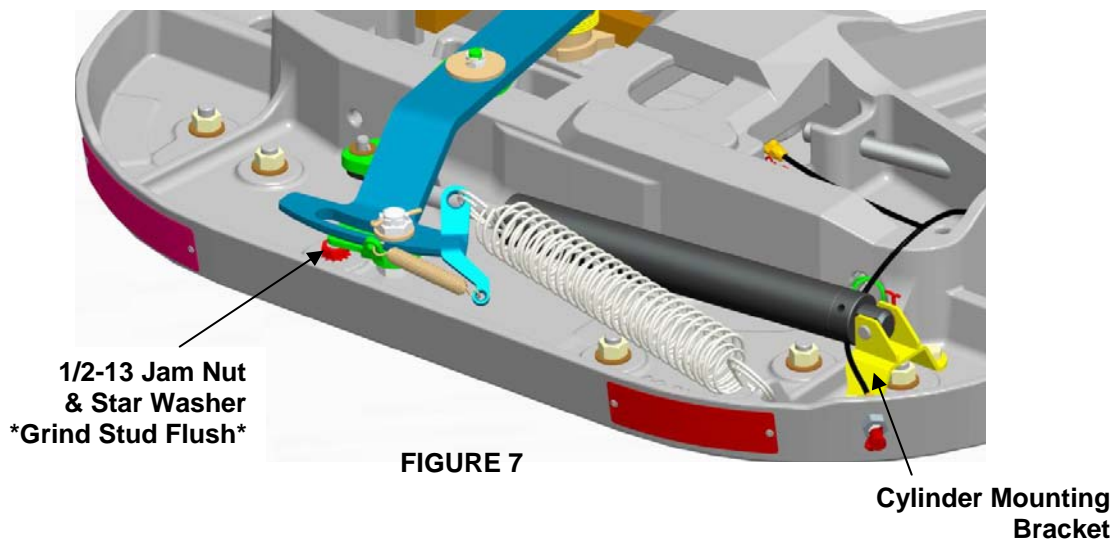


WARNING

DO NOT USE ANY FIFTH WHEEL THAT FAILS TO OPERATE PROPERLY!

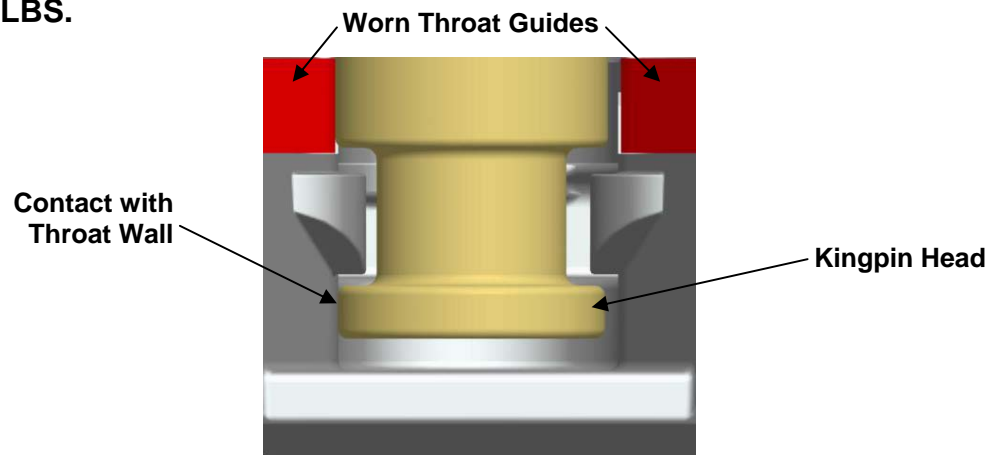
C. LUBE PLATE REPLACEMENT PROCEDURES (using kit SK79004-05):

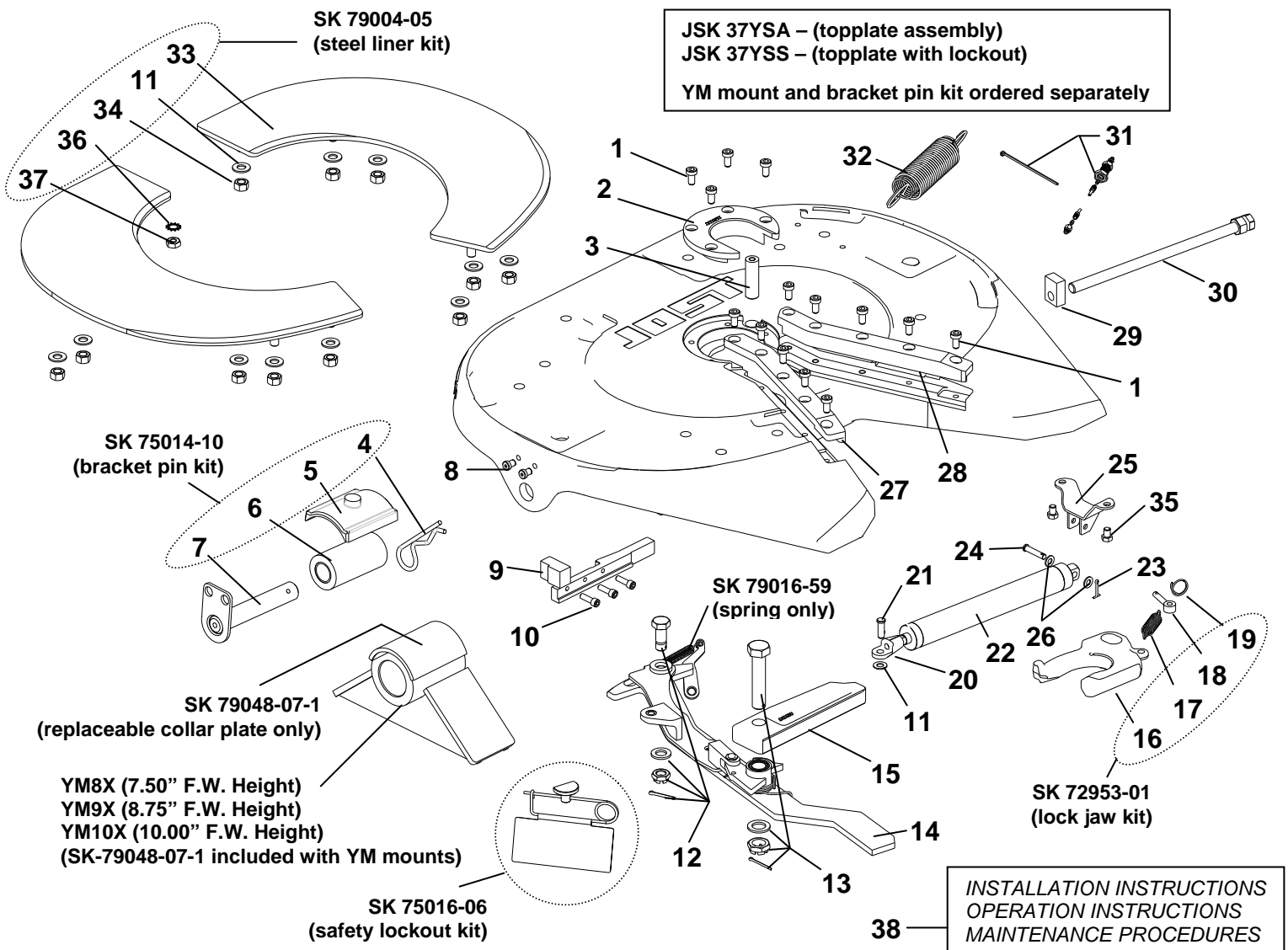
1. Remove the lock nuts and washers on the underside of the topplate with a 3/4" wrench
2. Remove the plates and clean any debris from the steel lube plate pockets of the topplate.
3. Install the new plates.
4. Install the 1/2" washers and 1/2"-13 locknuts provided in the kit. Tighten and torque the nuts to 45 FT-LBS.
5. Take notice of the (1) 1/2-13 jam nut and star washer (see Figure 7). This location will require the stud to be ground flush for release mechanism clearance



D. THROAT GUIDE REPLACEMENT PROCEDURES:

1. Remove the (5) allen head bolts per throat guide using a 5/16" allen wrench.
2. Remove the throat guides and clean any debris from this area of the topplate casting.
3. Install new throat guides.
4. Install (5) new allen head bolts per throat guide. Tighten and torque to 45 FT-LBS.





Item	Description	Part No.	Item	Description	Part No.	Item	Description	Part No.
1	Cushion ring bolt	SK 73121-55	14	Release arm asm	SK 79016-62	27	LH Throat guide	SK 79052-02
2	Cushion Ring	SK 79002-01	15	Locking bar	SK 79053-00	28	RH Throat guide	SK 79052-01
3	Lock jaw pivot pin	SK 72106-67	16	LH Lock jaw	SK 1489LZ	29	Guide piece	SK 73205-07
4	Hair pin	SK 70107-01	17	Lock jaw spring	SK 847	30	Adjusting screw w/nut	SK 79010-05
5	Collar	SK 73105-95	18	Eye bolt	SK 2106-69	31	Lubricating kit	SK 3108-02
6	Bushing	SK 79016-75	19	Ring	SK 2106-70	32	Double tension spring	SK 3105-20
7	Bracket pin - Ø1-1/8"	SK 79016-76	20	Cylinder clevis	SK 79020-06	33	Steel wear plates	SK 79005-27
8	Bracket pin bolt	SK 79016-79	21	Clevis pin	SK 70105-01	34	1/2-13 Lock nut	SK 70401-03
9	Lock/Unlock plate	SK 79016-22	22	Cylinder	SK 79020-04	35	3/8-16 Hex Bolt	SK 70202-32
10	5/16-18 SHCS	SK 70204-08	23	Clevis pin	SK 70102-08	36	External tooth washer	SK 70301-02
11	Flat washer	SK 70302-02	24	Cotter pin	SK 70101-03	37	1/2-13 jam nut	SK 70403-03
12	Pivot bolt kit	SK 71513	25	Cylinder bracket	SK 79016-71	38	Info Pack	SK 75020-21
13	Locking bar bolt kit	SK 73221-01	26	Washer	SK 70302-03			

Major Rebuild Kit		Minor Rebuild Kit	
Complete Rebuild Kit		Throat and Lock Jaw	
Includes Items 1-37 above		Includes Items 1-3, 16-19, 27-28 & 31	
JUST Order Number	Weight	JUST Order Number	Weight
SK 75013-23	53 lbs	SK 75013-24	16 lbs

The right to alter specifications is reserved.



1770 Hayes Street
Grand Haven, MI 49417
www.jostinternational.com

Ph. (616) 846-7700 (800) 253-5105
Fax (616) 846-0310

LT SK37Y-02 Rev.E