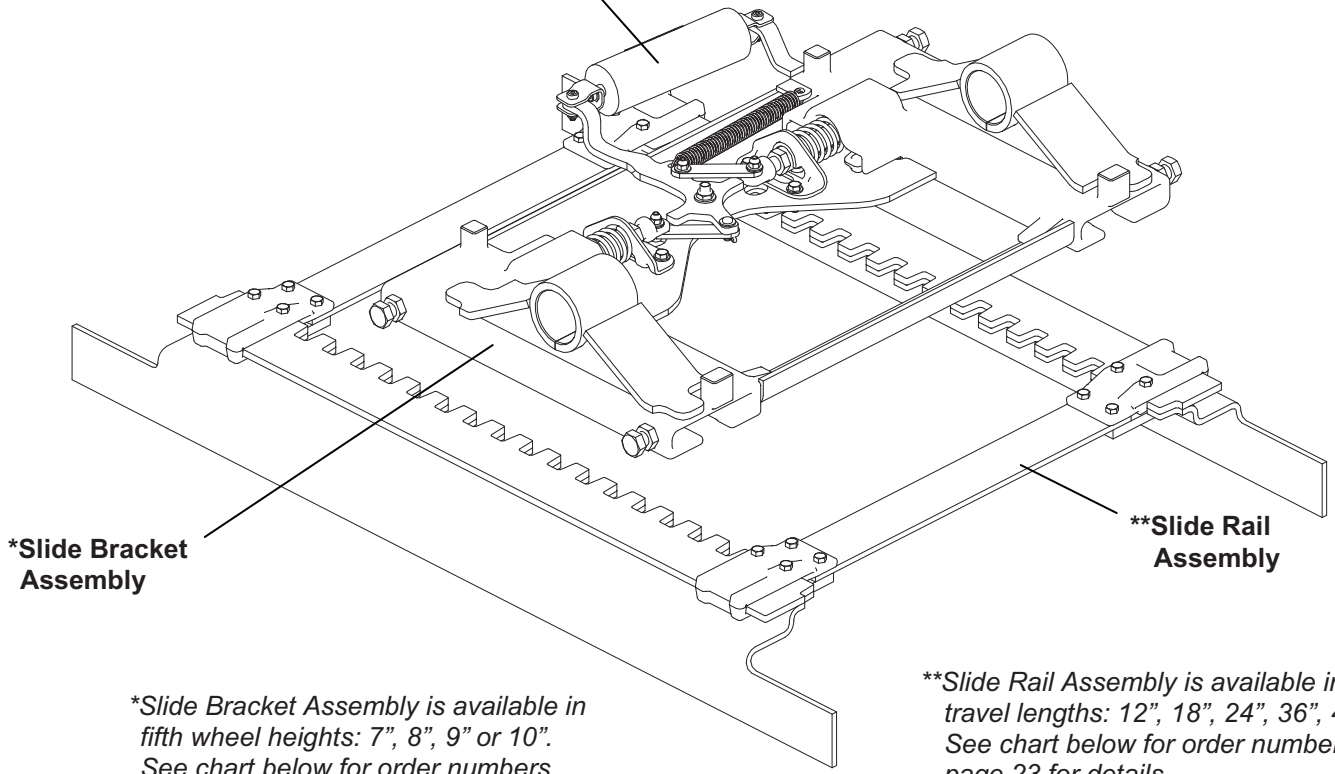


Air cylinder not included, order
SK 75015-03 (see pg. 36)



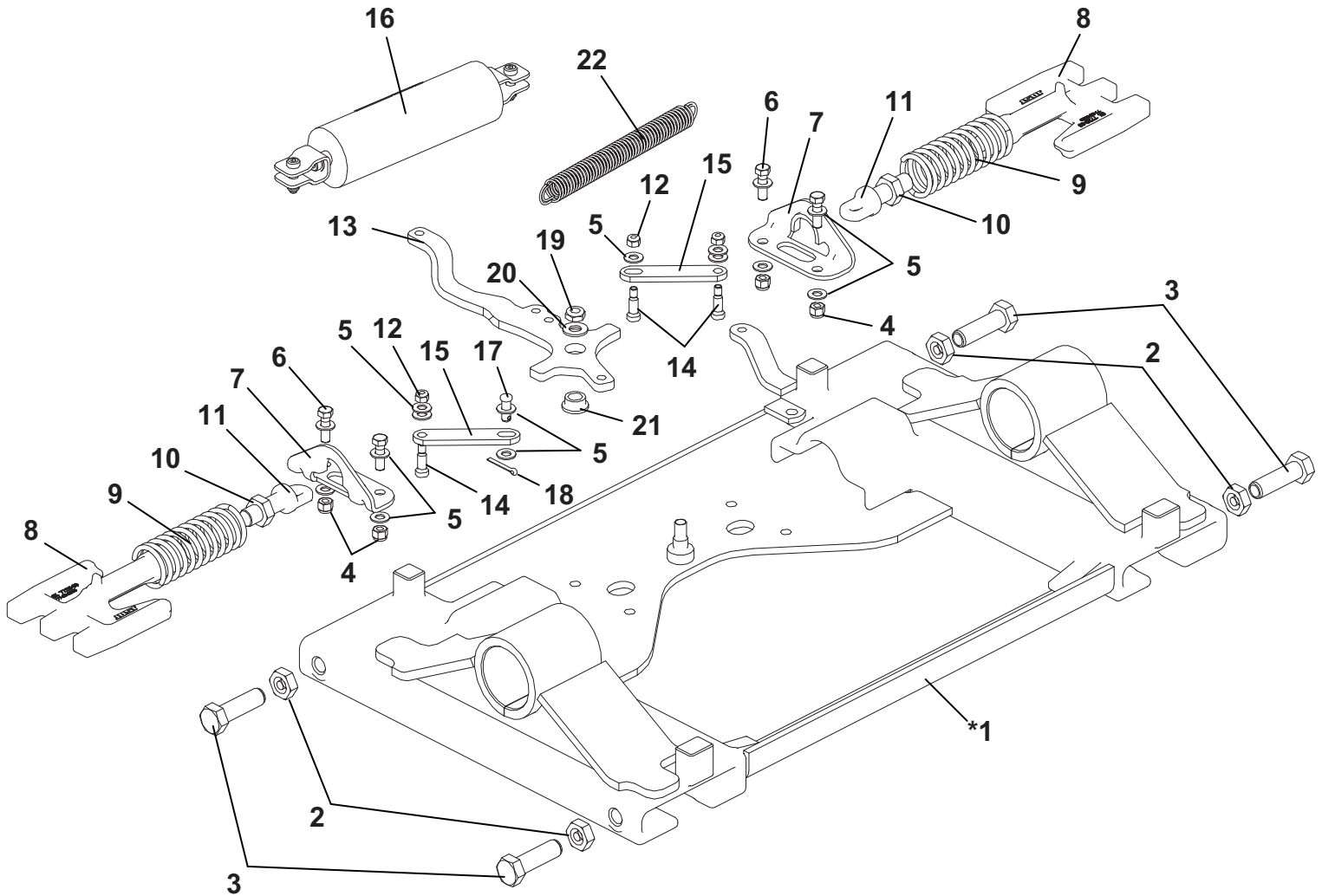
**Slide Bracket Assembly is available in fifth wheel heights: 7", 8", 9" or 10". See chart below for order numbers and see page 22 for details.*

***Slide Rail Assembly is available in standard travel lengths: 12", 18", 24", 36", 48". See chart below for order numbers and see page 23 for details.*

To Order Slide Bracket Assembly Only		
JOIST Order Number	Height	Weight
B7P	7" F.W. Height	119 lbs.
B8P	8" F.W. Height	122 lbs.
B9P	9" F.W. Height	126 lbs.
B10P	10" F.W. Height	131 lbs.

To Order Slide Rail Assembly Only		
JOIST Order Number	Travel	Weight
SK 75039-06	6" Travel	117 lbs.
SK 75039-12	12" Travel	130 lbs.
SK 75039-18	18" Travel	143 lbs.
SK 75039-24	24" Travel	156 lbs.
SK 75039-36	36" Travel	183 lbs.
SK 75039-48	48" Travel	209 lbs.

Slide Bracket Assembly



Item	Description	Part No.	Item	Description	Part No.
1	Slide bracket*	SK 77240-xx	12	5/16-18 Lock nut	SK 70402-01
2	3/4-10 Jam nut	SK 70403-05	13	Pivot Arm	SK 77289-00
3	3/4-10 Hex head bolt (full thread)	SK 70207-01	14	3/8 Dia. x 3/4 shoulder screw	SK 70201-09
4	3/8-16 Lock nut	SK 70402-00	15	Pivot linkage	SK 77290-00
5	Flat washer	SK 70302-05	16	Cylinder Assembly (see pg. 36)	SK 75015-03
6	3/8-16 Hex head bolt	SK 70202-05	17	3/8 Dia. clevis pin	SK 70102-00
7	Spring bracket	SK 77238-00	18	Cotter pin	SK 70101-01
8	Plunger	SK 77233-01	19	1/2-13 Lock nut	SK 70402-04
9	Spring	SK 77293-00	20	Flat washer	SK 70302-02
10	3/4-16 Jam nut	SK 70403-01	21	Flanged bearing	SK 77292-00
11	Plunger screw	SK 77234-00	22	Double Coil Spring	V2026100

*Item #1 available in fifth wheel heights: 7", 8", 9" or 10". Replace XX in part number with appropriate height (e.g. SK 77240-08).