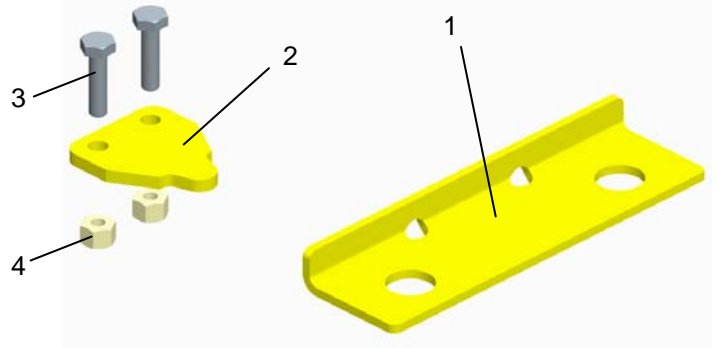


Field Installation Kit (used on A-051 only)

Part #SK 75034-02

Item	Description	Part No.	Qty
1	Travel Indicator	SK 77103-00	1
2	Pointer	SK 77104-00	1
3	1/4-20 x 1" Bolt	SK 70202-28	2
4	1/4-20 Lock Nut	SK 70401-01	2



1. MOVE SLIDE BRACKET TO FULL FORWARD POSITION.

2. LOCATE POINTER AND DRILL HOLES.

- a. Position Pointer at the bottom outside corner of the bracket (see figure 1).
- b. Using the mounting holes as a guide, locate the holes in the bracket with a transfer punch.
- c. Remove the Pointer and start holes with a center drill and drill thru using a 1/8" drill.
- d. Then, finish drill using a .281 drill.
- e. Mount the Pointer, tighten bolts and nuts securely.

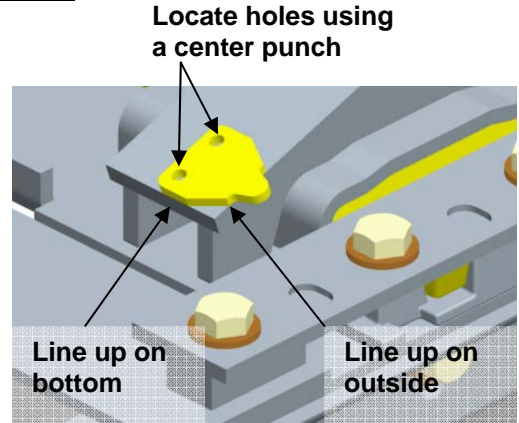


FIGURE 1

3. INSTALL TRAVEL INDICATOR.

- a. Locate the left edge in line with the Pointer installed in step 2 (see figure 2).
- b. Remove the (2) mounting bolts required.
- c. Mount the travel indicator by reinstalling fasteners (as shown).
- d. Torque the fasteners to bolt manufacturer's recommendations.

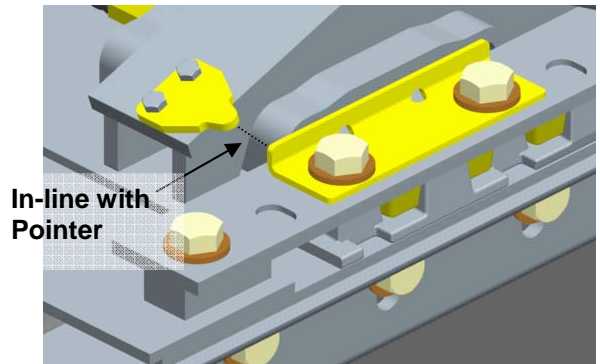


FIGURE 2