

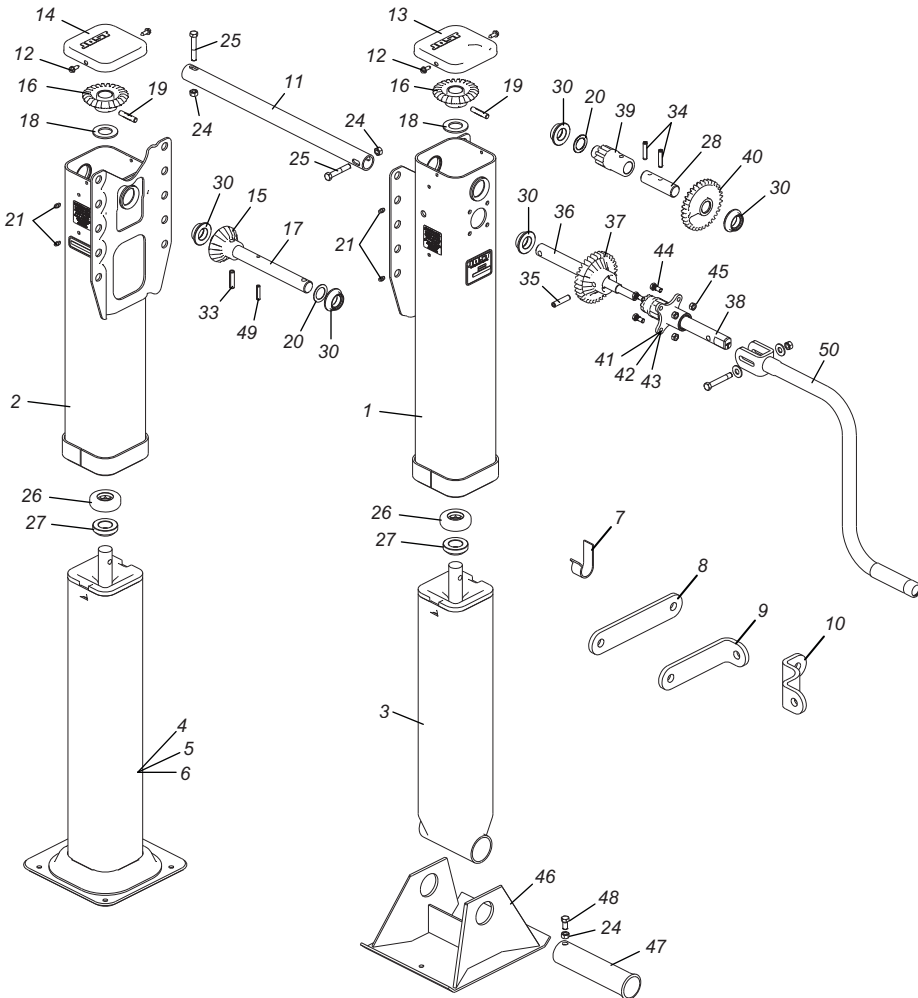
Parts List

Standard Assemblies

Item	Description		Outside Mount (A400)			Inside Mount (A401)		
			14" Travel	17" Travel	19" Travel	14" Travel	17" Travel	19" Travel
1	Upper Housing	Two-Speed	D10201.1	D10201.2	D10201.3	D10298.1	D10298.2	D10298.3
2	Upper Housing	One-Speed	D10116.1	D10116.2	D10116.3	D10299.1	D10299.2	D10299.3
3	Lower Leg Assembly	Standard	C10140.1	C10140.2	C10140.3	C10140.1	C10140.2	C10140.3
4	Lower Leg Assembly	10" x 10" Cushion	C10146.1	C10146.2	C10146.3	C10146.1	C10146.2	C10146.3
5	Lower Leg Assembly	10" x 12" Cushion	C10254.1	C10254.2	C10245.3	C10254.1	C10254.2	C10245.3
6	Lower Leg Assembly	Low Profile Cushion	C10580.1	C10580.2	C10580.3	C10580.1	C10580.2	C10580.3

Magnum Assemblies

Item	Description		Outside Mount (A440)			Inside Mount (A441)		
			14" Travel	17" Travel	19" Travel	14" Travel	17" Travel	19" Travel
1	Upper Housing	Two-Speed	D10201.1	D10201.2	D10201.3	D10298.1	D10298.2	D10298.3
2	Upper Housing	One-Speed	D10116.1	D10116.2	D10116.3	D10299.1	D10299.2	D10299.3
3	Lower Leg Assembly	Standard	C10140.10	C10140.20	C10140.30	C10140.10	C10140.20	C10140.30
4	Lower Leg Assembly	10" x 10" Cushion	C10146.10	C10146.20	C10146.30	C10146.10	C10146.20	C10146.30
5	Lower Leg Assembly	10" x 12" Cushion	C10254.10	C10254.20	C10245.30	C10254.10	C10254.20	C10245.30
6	Lower Leg Assembly	Low Profile Cushion	C10580.10	C10580.20	C10580.30	C10580.10	C10580.20	C10580.30



Shift Housing Assembly	Input Gear & Shift Housing Assembly
Includes Items 41, 42 & 43 above	Includes Items 38, 41, 42 & 43 above
Part Number – B10229S	Part Number – B10285

Individual Components

Item	Description	Qty	Part No.
7	Crank Hanger	1	B10261
8	Brace Lug - Flat	2	C10262
9	Brace Lug - 90°	2	C10263
10	Brace Lug - W Standard	2	C10108
11	Cross Shaft	1	B10066
12	Cover Screw	4	A10059.1
13	Cover – Two-Speed	1	C10217
14	Cover – One-Speed	1	C10259
15	Pinion Gear – One-Speed	1	C10177
16	Bevel Gear	2	C10155
17	Pinion Shaft – One-Speed	1	B10130
18	Thrust Washer	2	A10102
19	Grooved Pin	2	A10052.3
20	Spacer Washer	2	A10218
21	Grease Fitting	4	A10040
24	Self Locking Nut	4	A10038.7
25	Cross Shaft Bolt – 3/8 x 2" Gr 5	2	A10037.1
26	Thrust Bearing	2	A10033
27	Collar	2	A10101
28	Output Shaft	1	A10212
30	Bushing (Standard)	5	A10255
30	Bushing and Seals (Magnum)	5	A10727
33	Roll Pin – 3/8 x 1 1/2"	1	A10054.3
34	Spiral Pin	2	A10260.1
35	Roll Pin – 3/8 x 1 1/4"	1	A10054.7
36	Output Cluster Shaft	1	B10236
37	Output Cluster Gear	1	C10234
38	Input Gear Shaft	1	C10233
39	Output Spur Gear	1	C10078
40	Input Spur Gear	1	C10085
41	Detent Spring	1	A10049
42	Detent Ball	2	A10048
43	Shift Housing	1	B10229
44	Shift Housing Bolt	4	A10230
45	Self Locking Nut	4	A10038
46	Shoe – 10" x 10" x 4 1/2" Standard	2	C10035
46	Shoe – 10" x 10" x 2"	2	C10135
46	Shoe – 10" x 12" x 4 1/2"	2	C10256
46	Shoe – 10" x 12" x 2"	2	C10257
47	Shoe Axle	2	B10036
48	Hex Head Bolt	2	A10037.3
49	Roll Pin 1/4" x 1 1/4"	1	A10054.6
50	Standard Crank with Hardware	1	C10592.2