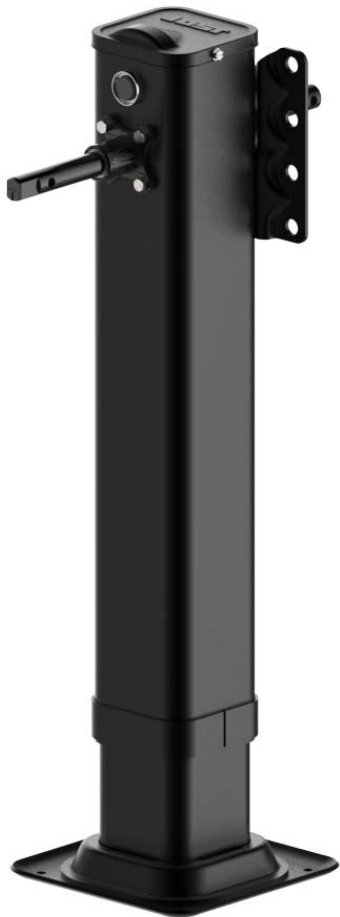




UL500 ULTRALIGHT Series Landing Gear

*Weight Savings of at Least 27 lbs Per Set!
Same Trusted Design, New Lightweight Material*



Design Features

- The same trusted gearbox.
- Legs are completely sealed to keep moisture out.
- HSLA flange material provides low weight and increased strength.
- Double "D" style shaft allows crank force to go directly into the gearbox, not torquing the bolt.
- Available with grease tube.
- HSLA material on both the upper and lower tube provides low weight and increased strength.

Capacities & Ratings

Maximum Static Load Rating*
160,000 lbs

Rated Lift Capacity**:
50,000

Side Load Capacity*:
26,000 per set

*When properly braced on a trailer.

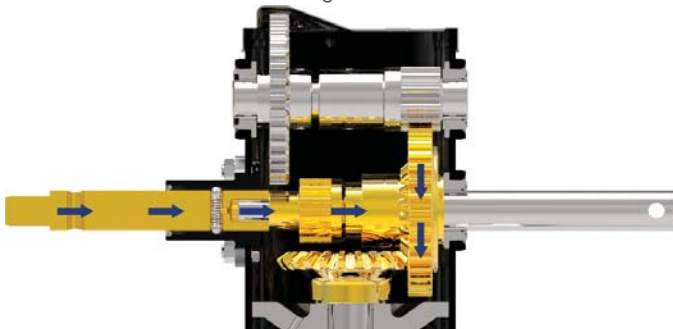
**With 100ft-lbs input torque.

Gear Ratio

Low Gear: 32 Turns = 1" Travel

High Gear: 3.5 Turns = 1" Travel

High Gear



Low Gear

