

AX Alumilight Landing Gear Series

**Aluminum Hybrid Series
Weight Savings of at
Least 50 lbs Per Set!**



Design Features

- Fully sealed with silicone to keep moisture out.
- 6061-T6 extruded aluminum upper leg for durability.
- Standard JOST gear train allows easy interchangeability.
- A 3/8" x 2" reinforcing strap for superior side load strength.
- Polyester coated HSLA steel lower leg.
- Available in inside and outside mount.
- Available in all standard JOST shoe options.
- Optional customer specific bracing welded on the leg in production.

AX100 Series

Maximum Static Load Rating*
160,000 lbs

Rated Lift Capacity**
55,000 lbs

Side Load Capacity*
29,000 per set

5 Year Warranty
90 Day Maintenance Required

AX140 Series

Maximum Static Load Rating*
160,000 lbs

Rated Lift Capacity**
55,000 lbs

Side Load Capacity*
29,000 per set

5 Year Warranty
5 Years Maintenance Free

AX150 Series

Maximum Static Load Rating*
160,000 lbs

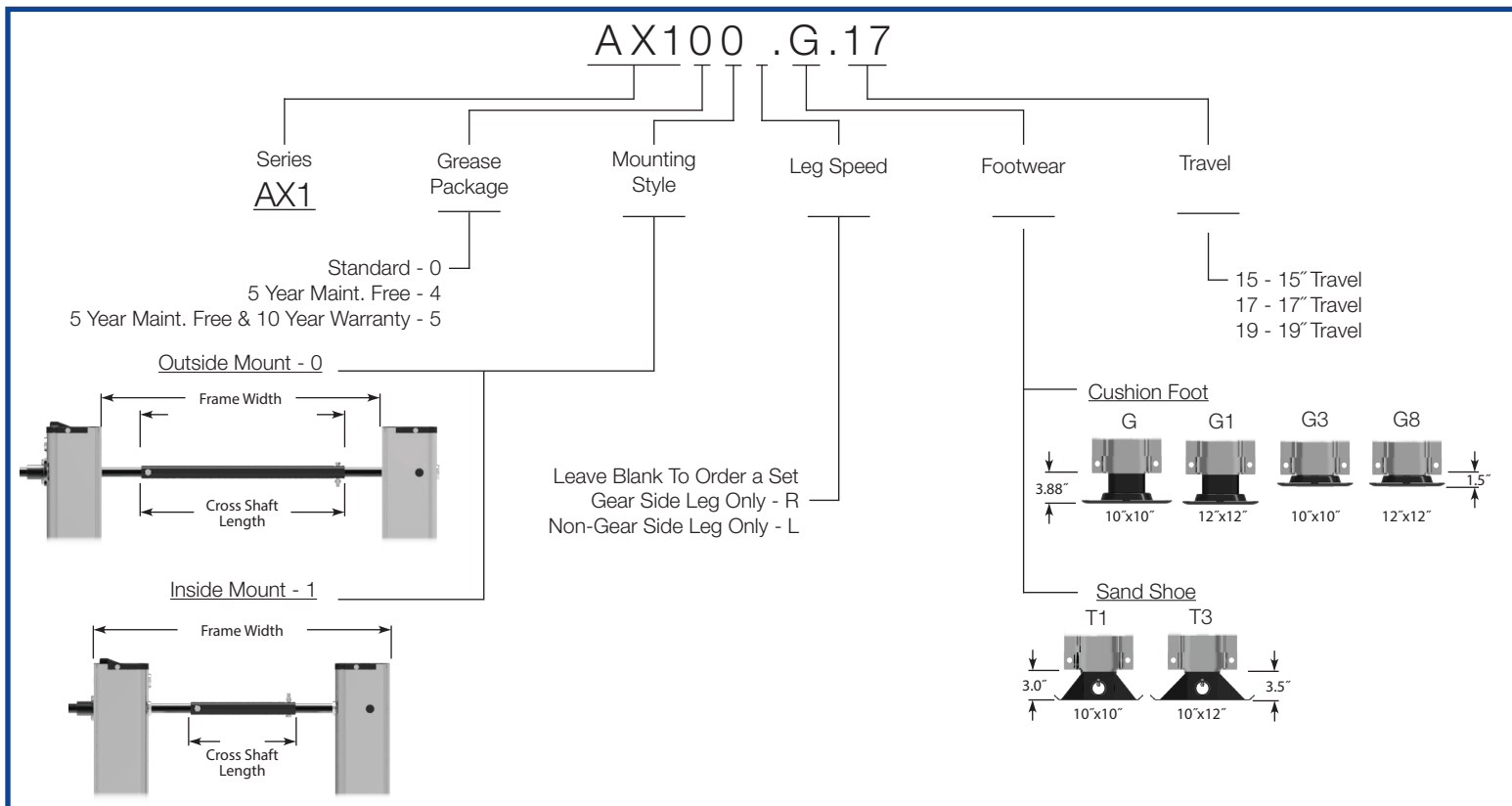
Rated Lift Capacity**
55,000 lbs

Side Load Capacity*
33,000 per set

10 Year Warranty
5 Years Maintenance Free
Rechargeable Grease Tube
Removable Shoe as Standard

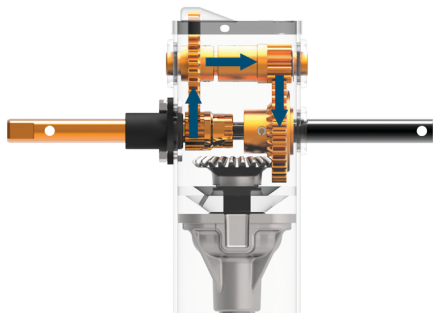
*When properly braced on a trailer.

**With 100ft-lbs input torque.



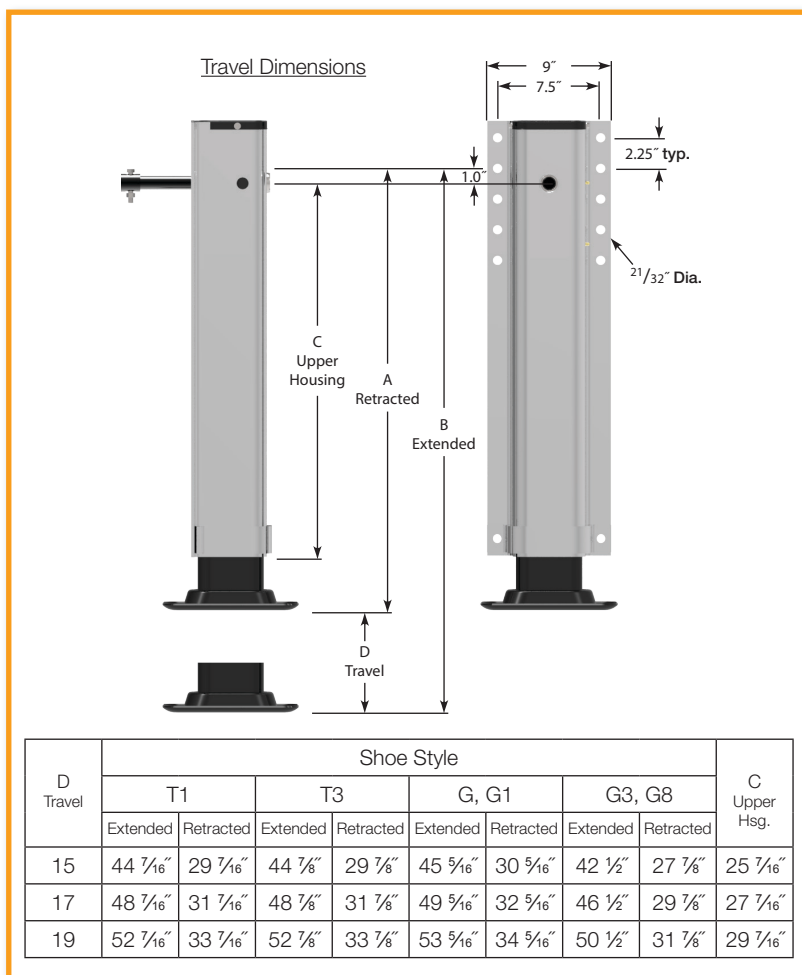
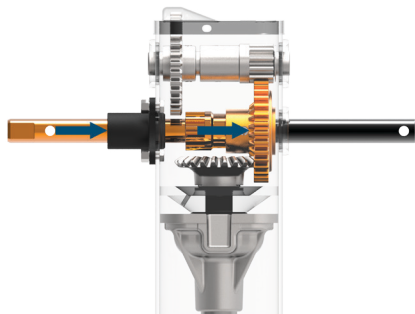
Low Gear Gear

Gear Ratio: 35 Turns = 1" Travel



High Gear

Gear Ratio: 3.5 Turns = 1" Travel



For all available landing gear accessories please see JOST document number SL-LG-008.